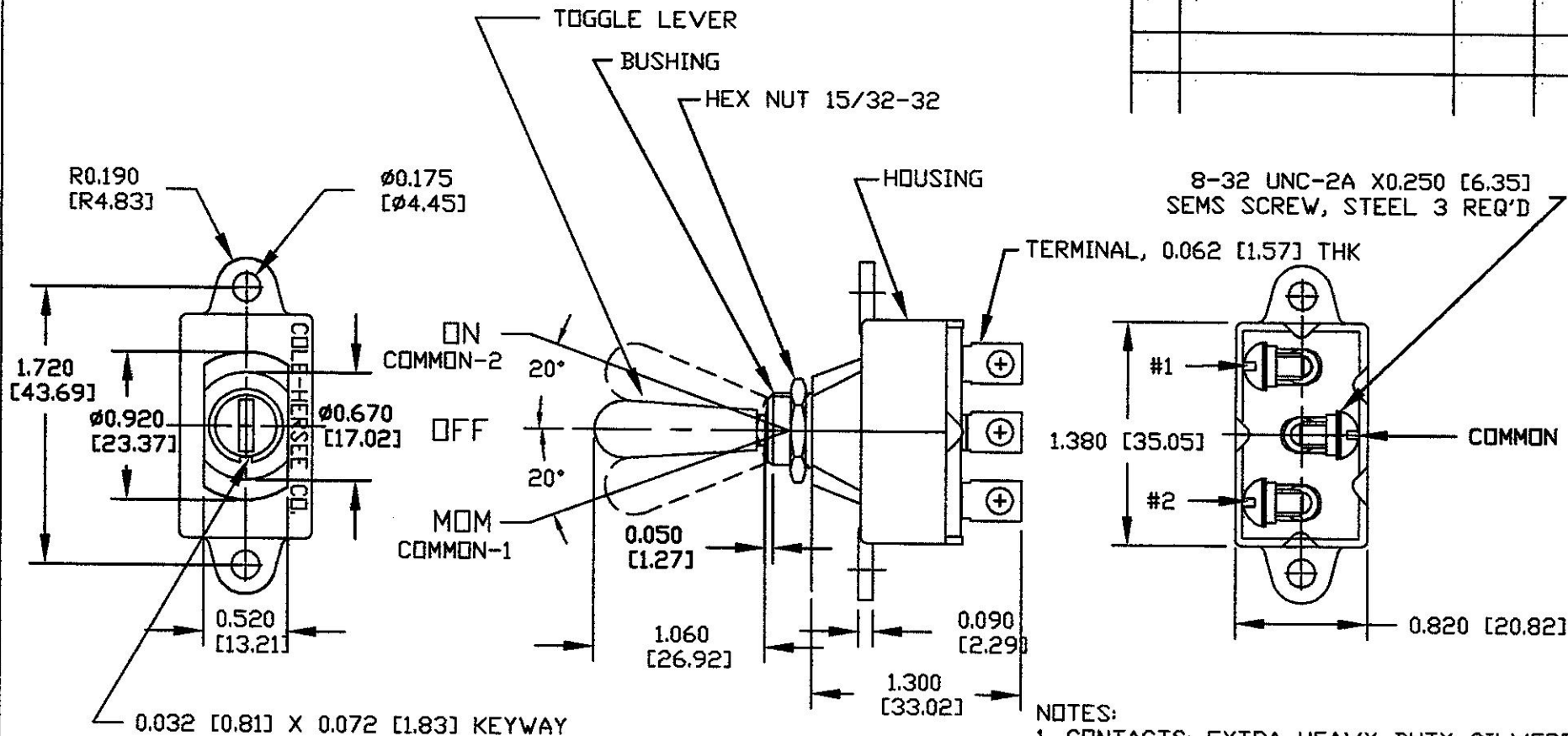


**Revision Control Record**

Rev.	Description of Change	ECN No.	Date
H	ADD NOTE 3 & 4	04449	07/21/06



- NOTES:
- CONTACTS: EXTRA HEAVY DUTY SILVERED
  - ALL STEEL PARTS PLATED
  - ALL DIMENSIONS ARE REFERENCES ONLY
  - HEX NUT & SCREWS TO BE BAGGED

**TOLERANCES** - Unless otherwise specifically noted, the following are default tolerances:  
 \* 2-place Decimal Dimensions  $\pm .02$ "  
 \* 3-place Decimal Dimensions  $\pm .005$ "  
 \* Angular Dimensions  $\pm 1.0$  Deg.  
 \* Metric: Refer to equivalent English Dimension Tolerance  
 >>> NOTE: All tolerances are Non-Cumulative. <<<

**Dimensional Units** - All dimensions are expressed in inches except those shown in brackets (xxx) are expressed in millimeters

**"REF." or an Asterisk (\*)** = Non-Toleranced Reference Dimension, shown for clarification purposes only.

**PROPRIETARY INFORMATION** - This Engineering Drawing, and the information contained herein, is proprietary to Cole Hersee Company and may not be disclosed, re-produced, or in any other way transferred or communicated to any other party without the express written consent of an authorized representative of Cole Hersee Company.

**DESIGN CONTROL** - It is the responsibility of the individual using / referencing this drawing to assure that the noted design revision level agrees with the revision level of the Controlled Document (Master Drawing). This is a NON-CONTROLLED DOCUMENT unless otherwise specifically noted.

**DO NOT SCALE** - Dimensional variation may occur during printing / reproduction.

**Key for Special Characteristics:**



Critical Characteristic, relating to Safety and/or Regulatory Compliance



Significant Characteristic relating to Process Control (SPC)



Control Dimension relating to Form - Fit - Function as defined by Cole Hersee Company and/or the Customer

(Note that the identification of any Characteristics as being "Special" does not alter the requirement that ALL specified dimensions & tolerances must be met.)



**Cole Hersee Co.**

20 Old Colony Ave., South Boston, MA, 02127  
 Phone: 617-268-2100 Web: www.colehersee.com

Description:

**SW, SPDT, MOM, TOGGLE**

Drawing / Part No.:

**551843**

Current Rev.

**H**

Used On or Ref.:

Scale: **1:1**

Drawn By: **RZ**

Date Drawn: **5-6-65**

Responsible Engineer: **NA**

Pg. 1 of 1