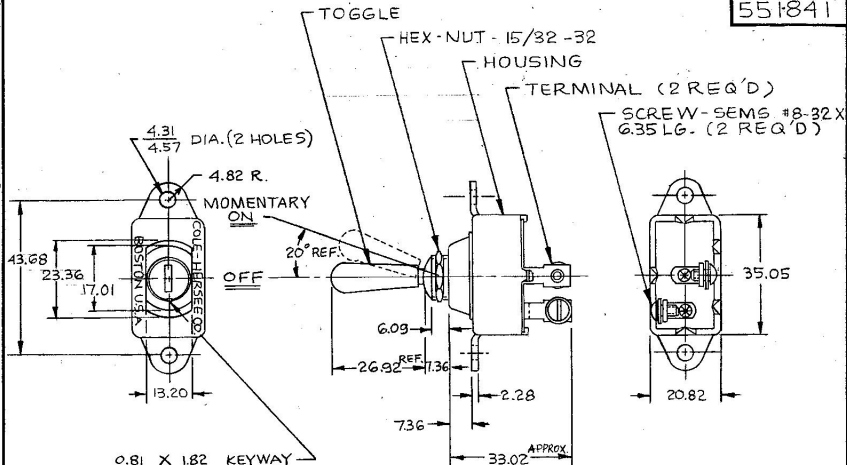


551841



- NOTES:
1. ALL STEEL PARTS PLATED
 2. EXTRA HEAVY DUTY (SILVERED CONTACTS)
 - ③. HEX NUT & SCREWS TO BE BAGGED
- DO NOT SCALE

Confidential property of Cole Hersee

METRIC

LET.	WAS	DATE	BY	LET.	WAS	DATE	BY	MATERIAL	DRAWN	CHECKED	APPR'D	SCALE	DATE DRAWN
									RZ	AF		1:1	5-6-65
								FINISH					DATE BLUEPRINT
									CH Cole Hersee Co. <small>1240 W. HUNTER AVENUE - BOSTON, MASS.</small>				
				H	ECW 01005	1/14/01	Dg	TOLERANCES	S.P.-S.T. MOM. TOGGLE SW 551841				
			G	REDRAWN	9/13/90	EL	DECIMAL ± METRIC ± .25						