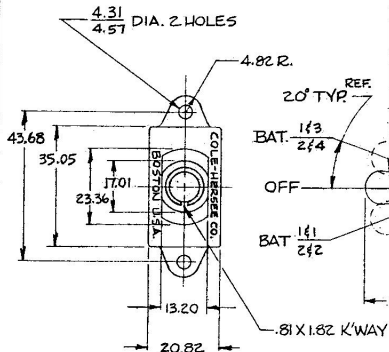


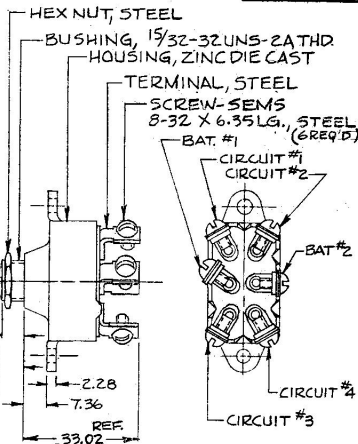
COLE-HERSEE CO.

1.51 .032
 3.02 .072
 4.28 .090
 5.31 .110
 6.57 .130
 8.82 .190
 11.09 .240
 13.20 .290
 17.01 .370
 20.82 .470
 25.34 .590
 29.42 .740
 35.05 .930
 43.48 1.170
 53.35 1.390
 63.35 1.590
 73.02 1.790

Confidential property of Cole Hersee



TOGGLE LEVER, BRASS, CHR. PLT. 551806



NOTE:
 (M) ALL STEEL PARTS PLATED
 2. HEX NUT & SCREWS TO BE
 (N) BAGGED

METRIC

DO NOT SCALE

| LET | WAS | DATE | BY | LET | WAS | DATE | BY | MATERIAL | DRAWN | CHECKED | APPROV. | SCALE | DATE DRAWN |
|-----|-----|------|----|-----|-------------------|----------|----|--------------|-----------------------------|---------|---------|-------|----------------|
| | | | | | | | | — | MF | CLB | | 1:1 | 2-25-64 |
| | | | | | | | | FINISH | COLE-HERSEE COMPANY | | | | DATE BLUEPRINT |
| | | | | | | | | — | BOSTON, MASS. 02127, U.S.A. | | | | |
| | | | | N | ECN 01005 | 1/4/01 | PS | TOLERANCES | D.P.D.T. TOGGLE SW. | | | | 551806 |
| | | | | M | CAN OR ZINC 25234 | 11/19/92 | SH | FRACTIONAL ± | | | | | |
| | | | | L | REDRAWN | 10.1.76 | KG | DECIMAL ±.25 | | | | | |