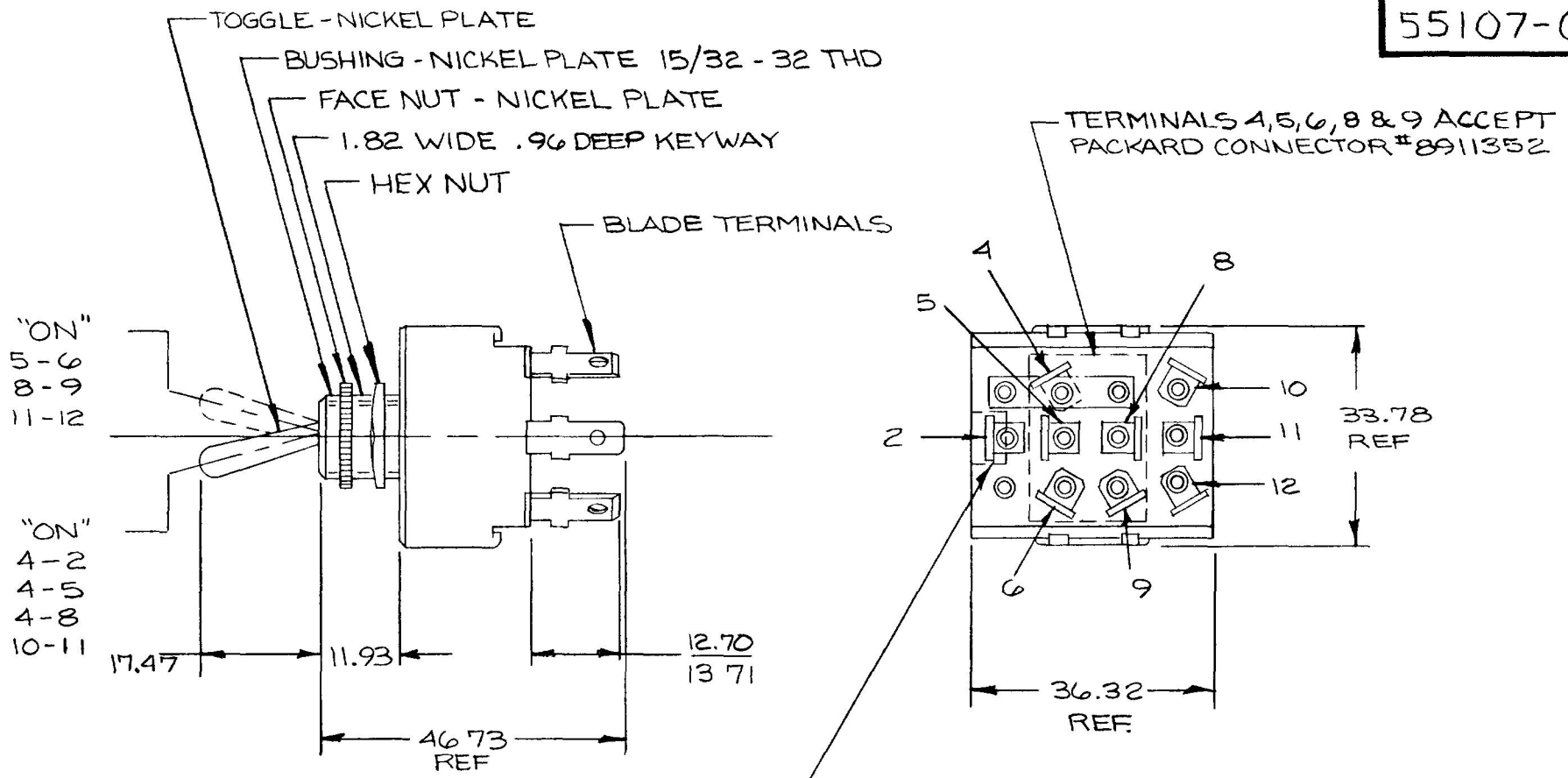


55107-01

MM	IN
.96	.038
1.82	.072
6.35	.250
11.93	.470
12.70	.500
13.71	.540
17.47	.688
33.78	1.330
36.32	1.430
46.73	1.840




EX 23109

TERMINAL 2,10,11&12 ACCEPT
INDIVIDUAL PACKARD
CONNECTORS #2962793

NOTE:
1. 25 AMP -12 VOLTS LAMP LOAD
2. ALL STEEL PARTS PLATED

DO NOT SCALE

LET	WAS	DATE	BY	LET	WAS	DATE	BY	MATERIAL	DRAWN	CHECKED	APPRV D	SCALE	DATE DRAWN
								---	BK	RF		1:1	8-2-88
								FINISH	 20 OLD COLONY AVENUE SOUTH BOSTON MA U.S.A. 02127				DATE BLUEPRINT
								TOLERANCES					TOGGLE SWITCH 4 POLE
								DECIMAL ±					
								METRIC ±					
								ISSUED	8/23/88	RF			

CH-188(4-78)