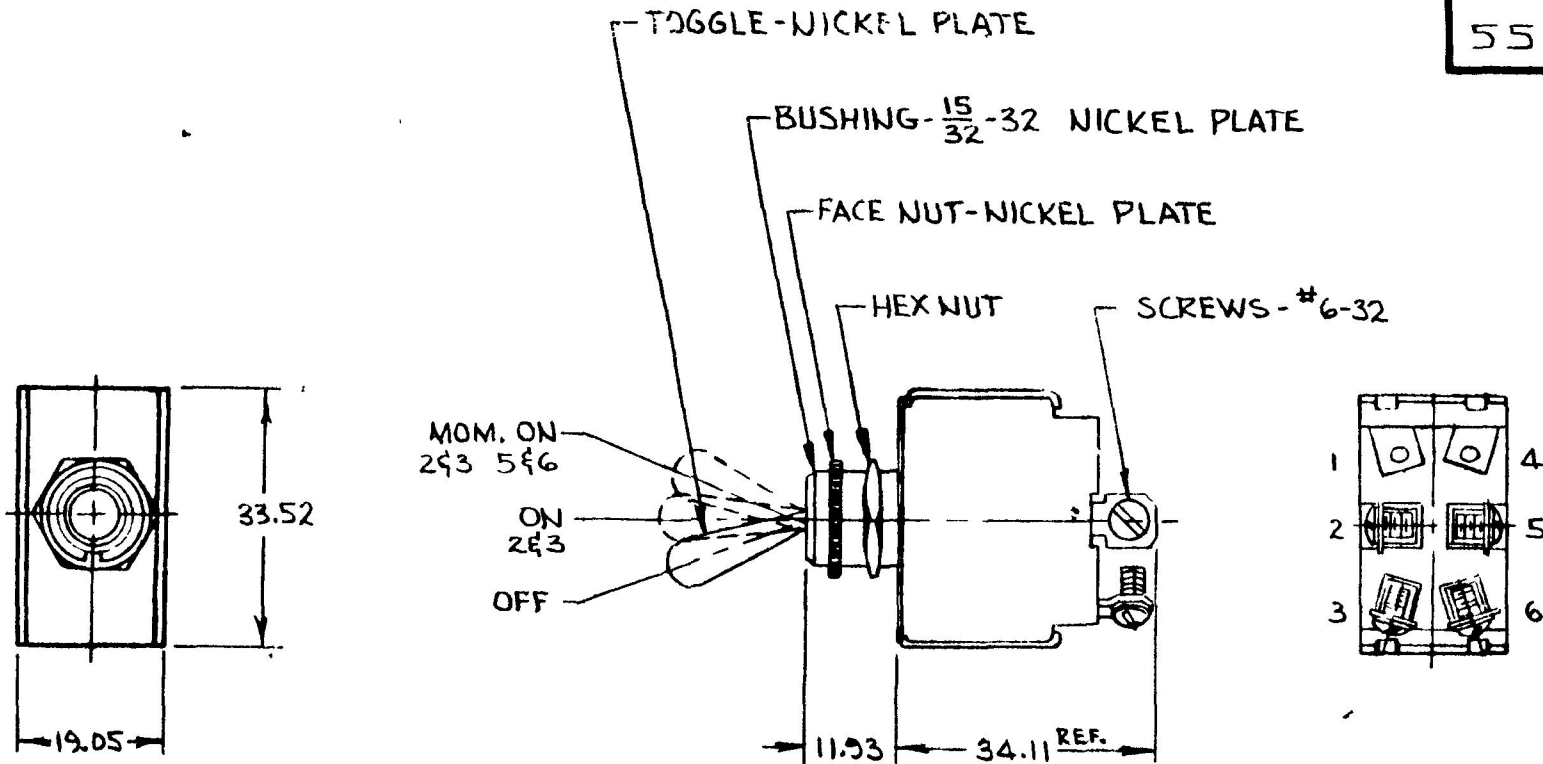


55094



MOM. ON
293 546
ON
243
OFF

- NOTES:
1. SILVER CONTACTS
 2. 25 AMPS @ 12V DC LAMP LOAD
 3. ALL STEEL PARTS PLATED

EX 23668

METRIC

DO NOT SCALE

LET	WAS	DATE	BY	LET	WAS	DATE	BY	MATERIAL	DRAWN	CHECKED	APPRVD	SCALE	DATE DRAWN
								—	RJF	AF		1:1	11-9-89
								FINISH	 <small>IN OLD COLONY APARTMENT SOUTH BOSTON MA U.S.A. 02127</small>				DATE BLUEPRINT
								TOLERANCES					
					ISSUED	1-24-90	AF	DECIMAL ± METRIC ±	SWITCH, TOGGLE, 3 POS.				55094