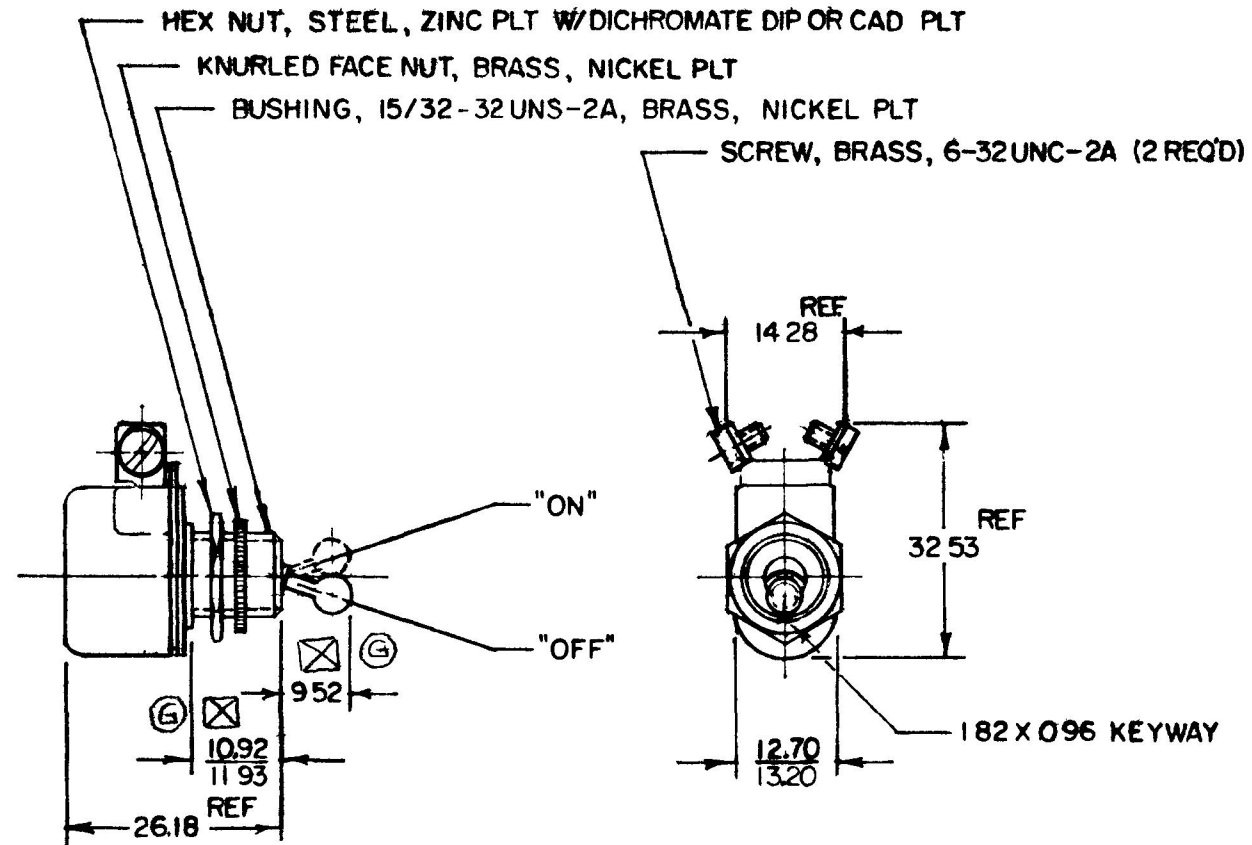


5507



METRIC

10 AMPS @ 12V DC

DO NOT SCALE

LET	WAS	DATE	BY	LET	WAS	DATE	BY	MATERIAL	DRAWN	CHECKED	APPRV'D	SCALE	DATE DRAWN
								— # —	KR	[Signature]		1:1	7-27-50
								FINISH					DATE BLUEPRINT
								— # —					
				G	ADD SYMBOL	2/25/42	RF	TOLERANCES	Cole Hersee Co TOGGLE SWITCH				5507
				F	REV & REDRAWN	12-3-79	RR	DECIMAL ± .010 METRIC ± .25					

CH 188(4 78)