

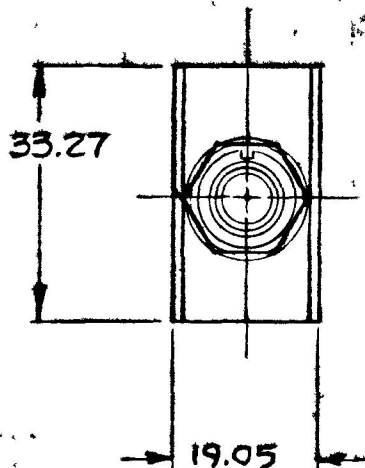
COLE-HERSEE CO.

EX 16621

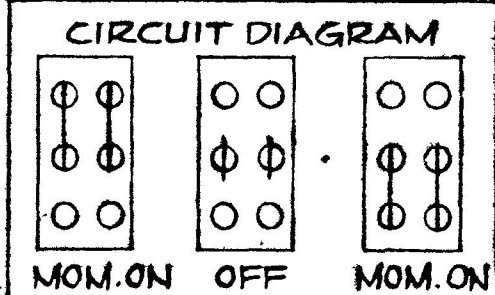
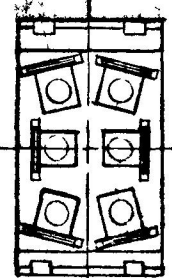
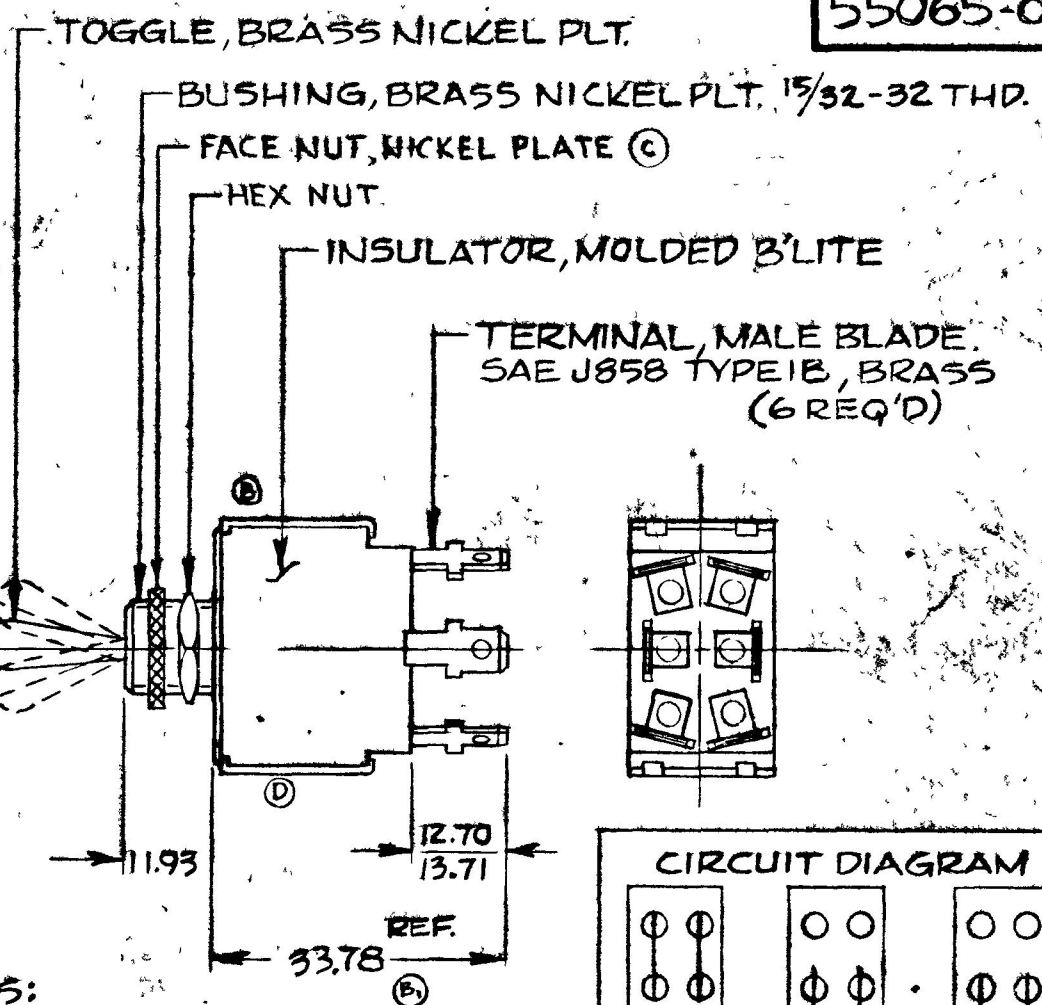
55065-03

VOLTS	RESISTIVE	INDUCTIVE
12 VDC	25 AMPS	15 AMPS
24 VDC	15 AMPS	8 AMPS

1.01	1.010
1.93	1.470
2.70	1.500
3.71	1.540
4.95	1.750
6.27	1.310
7.37	1.550



MOM.
ON
OFF
MOM.
ON



- NOTES:
- 1) NO. POLES - 2
 - 2) NO. THROWS - 2
 - 3) TYPE SEALING - NONE
 - 4) ALL STEEL PARTS PLATED
 - 5) SILVER CONTACT SURFACES

METRIC

DO NOT SCALE

LET	WAS	DATE	BY	LET	WAS	DATE	BY	MATERIAL	DRAWN	CHECKED	APPR'D	SCALE	BASIC, WITH SHORT TOGGLE.	DATE DRAWN
				C	ADD FACE FINISH 22957	1-24-80	RJF	#	RJF	Y		1:1		8-27-76
				B ₁	WAS 39.37 REF			FINISH					COLE-HERSEE COMPANY	DATE BLUEPRINT
				B	CHANGE CASE / 22791	6-17-85	AK	#					BOSTON, MASS. 02127, U.S.A.	
E	ADD NOTE / 25432	9/15/93	TJH		ISSUED	9-8-76	Y	TOLERANCES					MOMENTARY D.P.D.T.	55065-03
R	REVISE VIEW / 23007	3/14/86	AK	A	REDRAWN NO CHANGE	9-7-76	KG	FRACTIONAL ± DECIMAL ±.25				TOGGLE SWITCH		

SPAULDING CO., INC. 21-56481