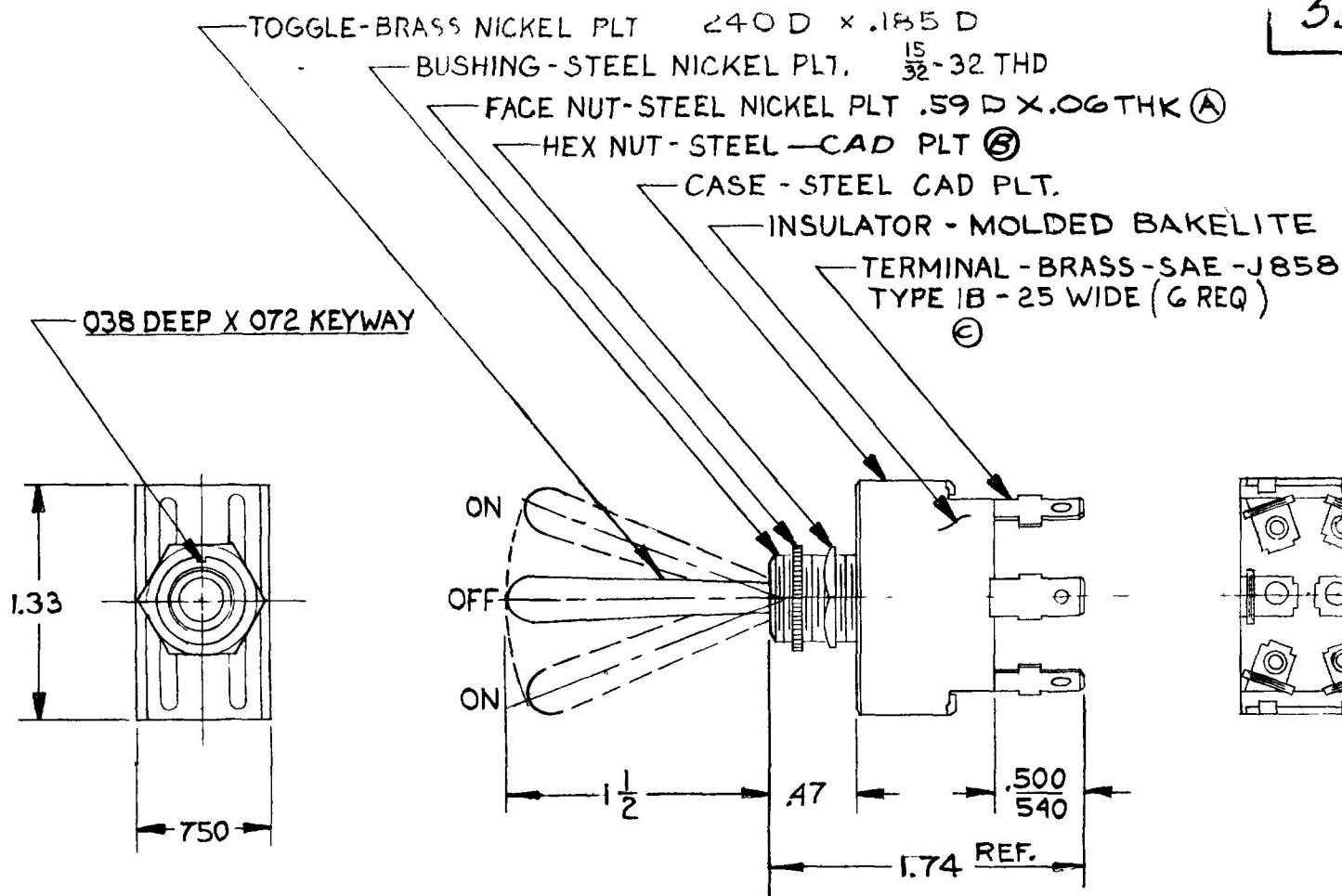


SCREW  
5592-05

EX14720

55057



25 AMPS 12 VOLTS D.C.  
EXTRA HEAVY DUTY

DO NOT SCALE

LET	WAS	DATE	BY	LET	WAS	DATE	BY	MATERIAL	DRAWN	CHECKED	APPR V B	SCALE	USED ON	DATE DRAWN
								NOTED	NB.	JM		1X		5-15-67
				C	1A	16541	3-25-67	FINISH						DATE ISSUED
				B	NICKL FLATE	16294	11-21-68							
				A	ADDED DIM	16093	5-29-68	TOLERANCES						
					ISSUED		5 18 61	FRACTIONAL ± 015 DECIMAL ± 010	NAME	L.P.D.T "ON-OFF-ON" TOGGLE SWITCH			PART NO 55057	

COLE-HERSEE CO.