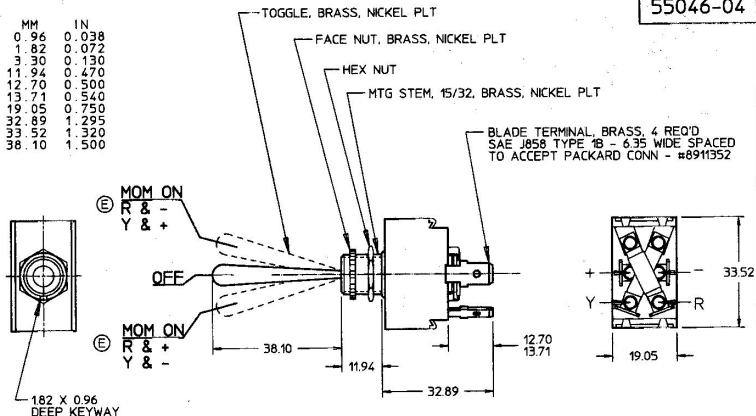


55046-04

MM	IN
0.96	0.038
1.82	0.072
3.30	0.130
11.94	0.470
12.70	0.500
13.71	0.540
19.05	0.750
32.89	1.295
33.52	1.320
38.10	1.500



Confidential Property of Cole Hersee

METRIC

NOTES:

1. ALL STEEL PARTS PLATED
2. ALL DIMENSIONS ARE REFERENCE UNLESS NOTED
3. 25 AMP @ 12 VDC

DO NOT SCALE

LET.	WAS	DATE	BY	LET.	WAS	DATE	BY	MATERIAL	DRAWN TY-	CHK	APVD	SCALE 1:1	55046-12	DATE DRAWN 2/5/98
								FINISH						DATE BLUEPRINTED
				D	ECN 98512	07/27/98	WL		Cole Hersee Co. 20 OLD COLONY AVENUE, BOSTON, MA, U.S.A. 02127					
				C	PUT ON CAD	2/6/98	TY	TOLERANCES DECIMAL ± ANGLE ±	REVERSING SW					55046-04
				-	ISSUED	12/1/77	PY							