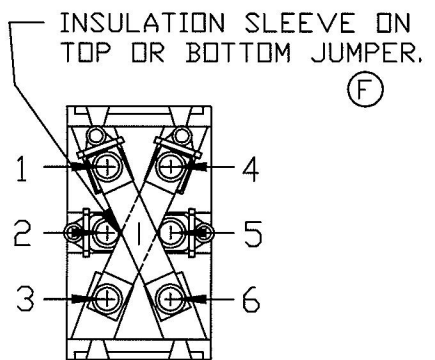
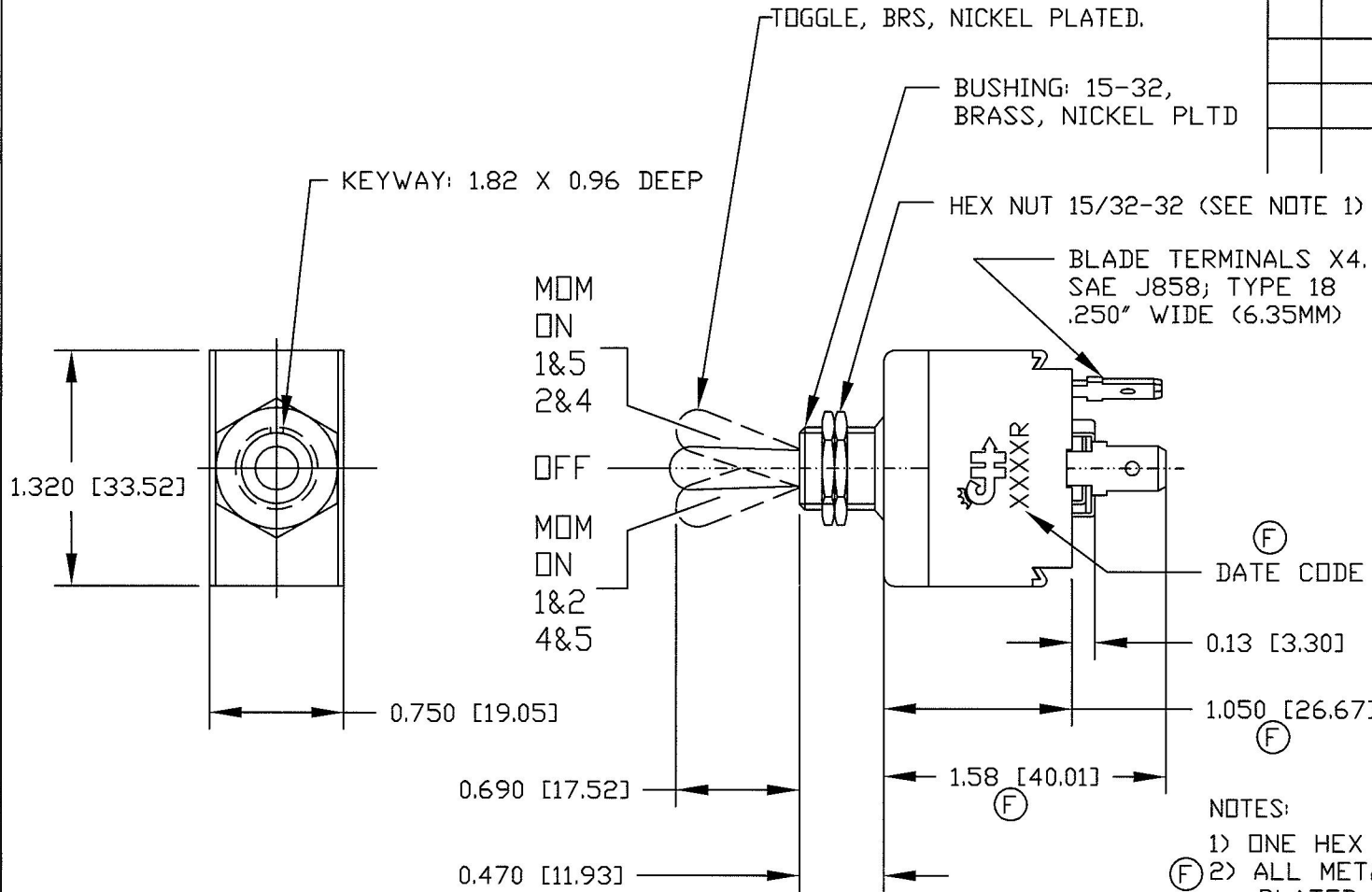


**Revision Control Record**

Rev.	Description of Change	ECN No.	Date
F	PUT ON CAD	11128	04/20/11



DATE CODE (F)  
 0.13 [3.30]  
 1.050 [26.67] (F)  
 1.58 [40.01] (F)

- NOTES:  
 1) ONE HEX NUT TO BE SHIPPED LOOSE  
 2) ALL METAL PARTS ARE EITHER ZINC PLATED OR NICKEL PLATED.  
 3) NEOPRENE O-RING SEAL IN BUSHING.  
 4) ALL DIMENSIONS ARE REFERENCE.

**Tolerances** Unless otherwise specifically noted, the following are default tolerances:  
**2-places +/- 0.02"**    **3-places +/- 0.005"**    **Angular +/- 1°**  
 Metric: Shown in [ ] refers to equivalent English Dim Tol  
 "REF." or an Asterisk (\*) = Non-Toleranced Reference Dimension, shown for clarification purposes only.  
 NOTE: All tolerances are Non-Cumulative.

**PROPRIETARY INFORMATION**  
 This Engineering Drawing, and the information contained herein, is proprietary to Cole Hersee Company and may not be disclosed, re-produced, or in any other way transferred or communicated to any other party without the express written consent of an authorized representative of Cole Hersee Company.

**Special Characteristics:**  
 (CC) Critical Characteristic, relating to Safety and/or Regulatory Compliance  
 (X) Significant Characteristic relating to Process Control  
 (KC) Control Dimension relating to Form - Fit - Function as defined by Cole Hersee Company and/or the Customer

**Cole Hersee Co.**  
 20 Old Colony Ave., South Boston, MA, 02127  
 Phn: 617-268-2100 Web: www.colehersee.com

**Description:**  
**SWITCH, TOGGLE . REVERSING**