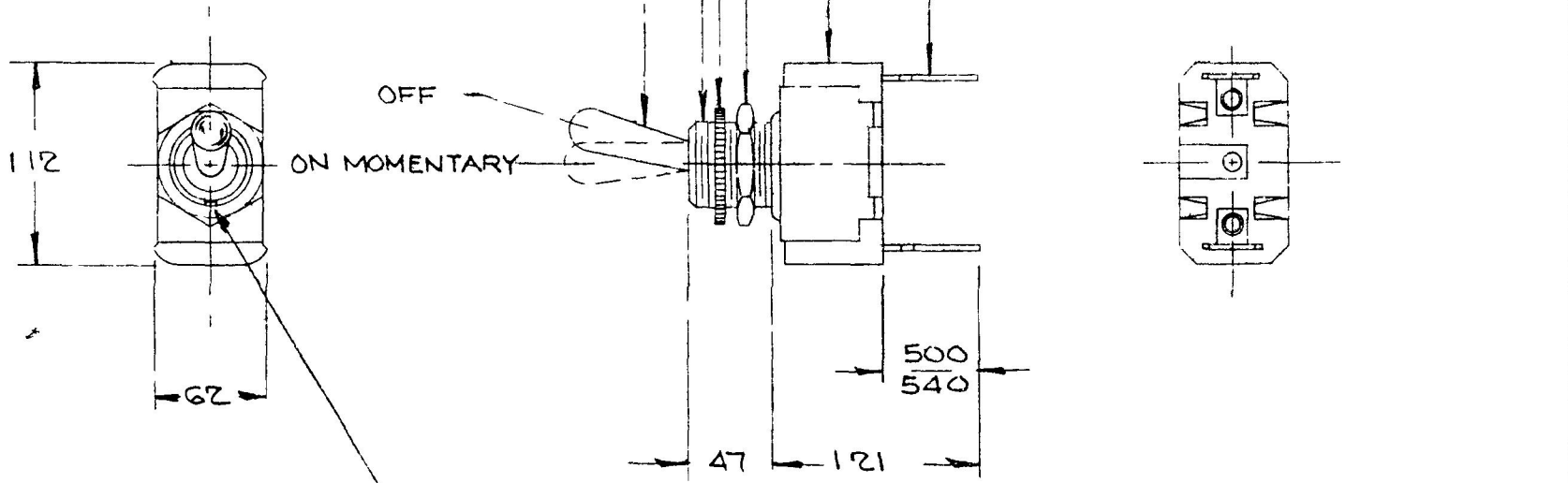


SCW
55020

55037

EX-13641

COLE-HERSEE CO



072X 038 DEEP KEWAY

NOTES

- 1 SINGLE POLE MOMENTARY
- ⓐ 2 SILVER CONTACT SURFACES

(25A 12V)

WA		LEV	WAS	D TE		MATERIAL	RAWN	REC ED	D SCALE	U ED	TE D W
		D	ADD NOTE/25932	9/17/93	TJH	✓	EA	✓	FULL		1-24-64
		C	NOT SPEC 16542	3-25-69	JH	FIN SH			COLE-HERSEE COMPANY		TE EDU
		B	BRASS NICKEL 16294	11-22-68	B	✓			BOSTON 27, MASS, U S A		
		A	APPEO SIM 16093	5-29-68	TH	TO BRANCES	AMB		TOGGLE SWITCH		55037
			ISSUED	9-13-66	TH	FR TION ±					
						D = ±.010					