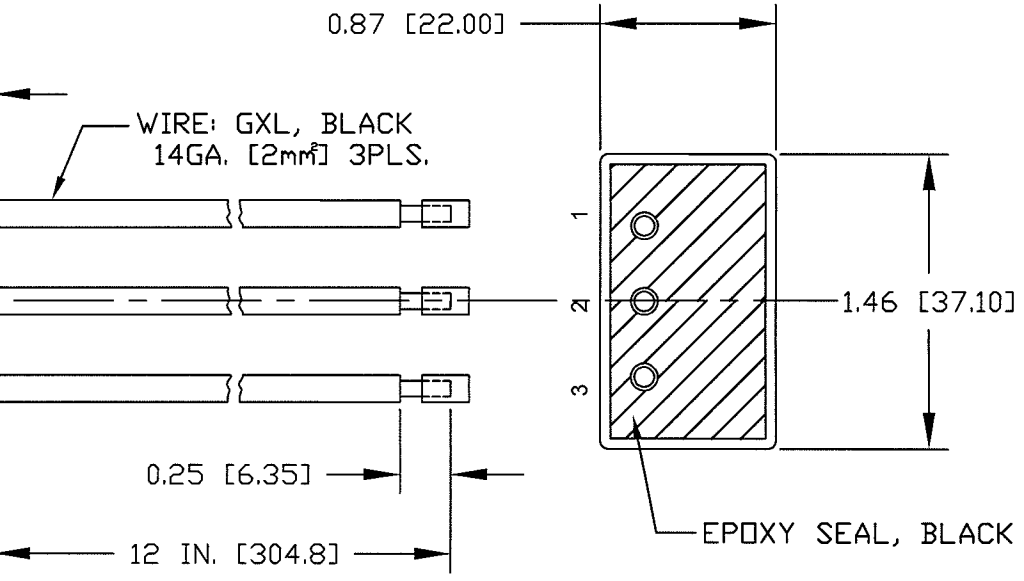
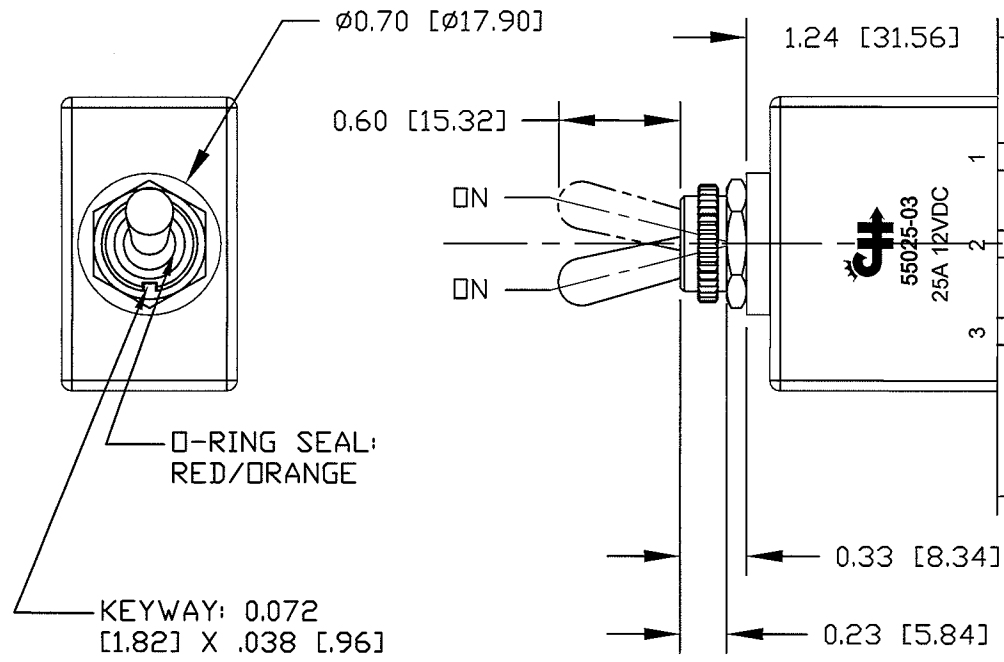


<u>Revision Control Record</u>			
Rev.	Description of Change	ECN No.	Date
A	NEW DRAWING RELEASE	11432	12/08/11



- NOTES:
- 1) SEALED TOGGLE SWITCH, SPDT, SILVER CONTACTS.
 - 2) SEALING SPEC: IP67.
 - 3) ENVIRONMENTAL: -40 TO 85°C
 - 4) BUSHING, TOGGLE & HWARE: BRASS, NICKEL PLATED.
 - 5) ELECTRICAL RATING: 25A @ 12vDC; 15A @ 24vDC.
 - 6) ALL HARDWARE ASSEMBLED.

Tolerances Unless otherwise specifically noted, the following are default tolerances;

2-places +/- 0.02"
3-places +/- 0.005"
Angular +/- 1°

Metric: Shown in [] refers to equivalent English Dim Tol

"REF." or an Asterisk (*) = Non-Toleranced Reference Dimension, shown for clarification purposes only.

NOTE: All tolerances are Non-Cumulative.

PROPRIETARY INFORMATION
 This Engineering Drawing, and the information contained herein, is proprietary to Cole Hersee Company and may not be disclosed, re-produced, or in any other way transferred or communicated to any other party without the express written consent of an authorized representative of Cole Hersee Company.

- Special Characteristics:**
- CC Critical Characteristic, relating to Safety and/or Regulatory Compliance
 - X Significant Characteristic relating to Process Control
 - KC Control Dimension relating to Form - Fit - Function as defined by Cole Hersee Company and/or the Customer

Cole Hersee Co.
 20 Old Colony Ave., South Boston, MA, 02127
 Phn: 617-268-2100 Web: www.colehersee.com

Description: SW. TOGGLE, ON-ON