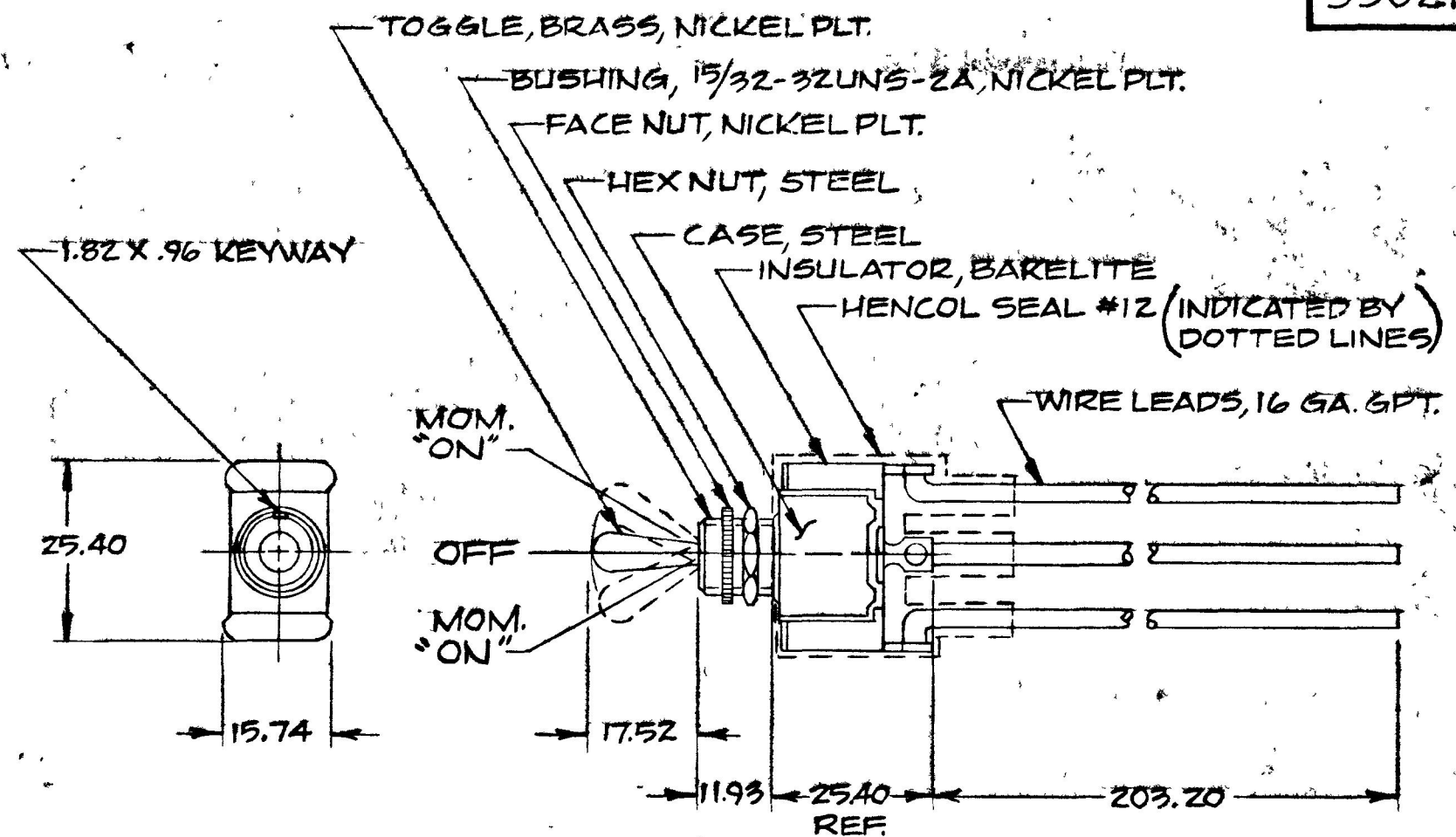


55021-07

MM.	IN
2.5	.010
4.6	.058
8.2	.072
11.93	.470
15.74	.620
17.52	.690
25.40	1.000
38.44	1.120
50.80	2.000



COLE-HERSEE CO.  
NFM 3-30-77  
EX-17874  
731-6

NOTES:  
 1. O-RING SEAL IN BUSHING  
 2. ALL STEEL PARTS EITHER ZINC PLT. DICHROMATE DIP OR CAD. PLT.

METRIC

DO NOT SCALE

LET	WAS	DATE	BY	LET	WAS	DATE	BY	MATERIAL	DRAWN	CHECKED	APPR'D	SCALE	BASIC -06 W/3 LEADS, PVC COATED, FACE NUT & HEX NUT ASSEMBLED.	DATE DRAWN
								#	KG	17		1:1		3-17-77
								FINISH	COLE-HERSEE COMPANY					DATE BLUEPRINT
								TOLERANCES	BOSTON, MASS 02127, U.S.A.					
								FRACTIONAL ±	S.P.D.T. TOGGLE SW.					55021-07
								DECIMAL ±.25						

SPAULDING CO., INC. 21-5353