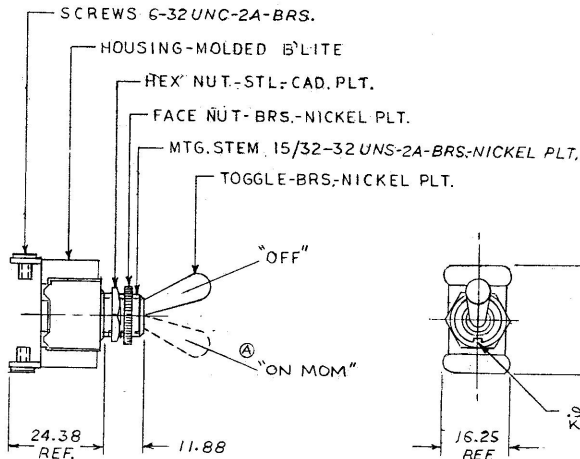


55020-02

METRIC

NOTE:

- 1) NEOPRENE O-RING SEAL AT MTG STEM
- 2) ALL STEEL PARTS EITHER ZINC PLT. DICHROMATE DIP OR CAD. PLT.

③ 3) SILVER CONTACT SURFACES

Confidential Property of Cole Hersee

DO NOT SCALE

ET	WAS	DATE	BY	LET	WAS	DATE	BY	MATERIAL	DRAWN	CHECKED	APPRVD.	SCALE	BASIC WITH O-RING SEAL	DATE DRAWN
								≠	EA	9-24-76		1=		9-22-76
								FINISH	COLE-HERSEE COMPANY BOSTON, MASS. 02127, U.S.A.					DATE BLUEPRINT
								≠						
				B	ADD NOTE 25432	9/15/73	JH	TOLERANCES	TOGGLE SW.					55020-02
				A	ECN 23559	6-30-87	MZ	FRACTIONAL ±						
					ISSUED	7-25-88	AF	DECIMAL ±0.25						