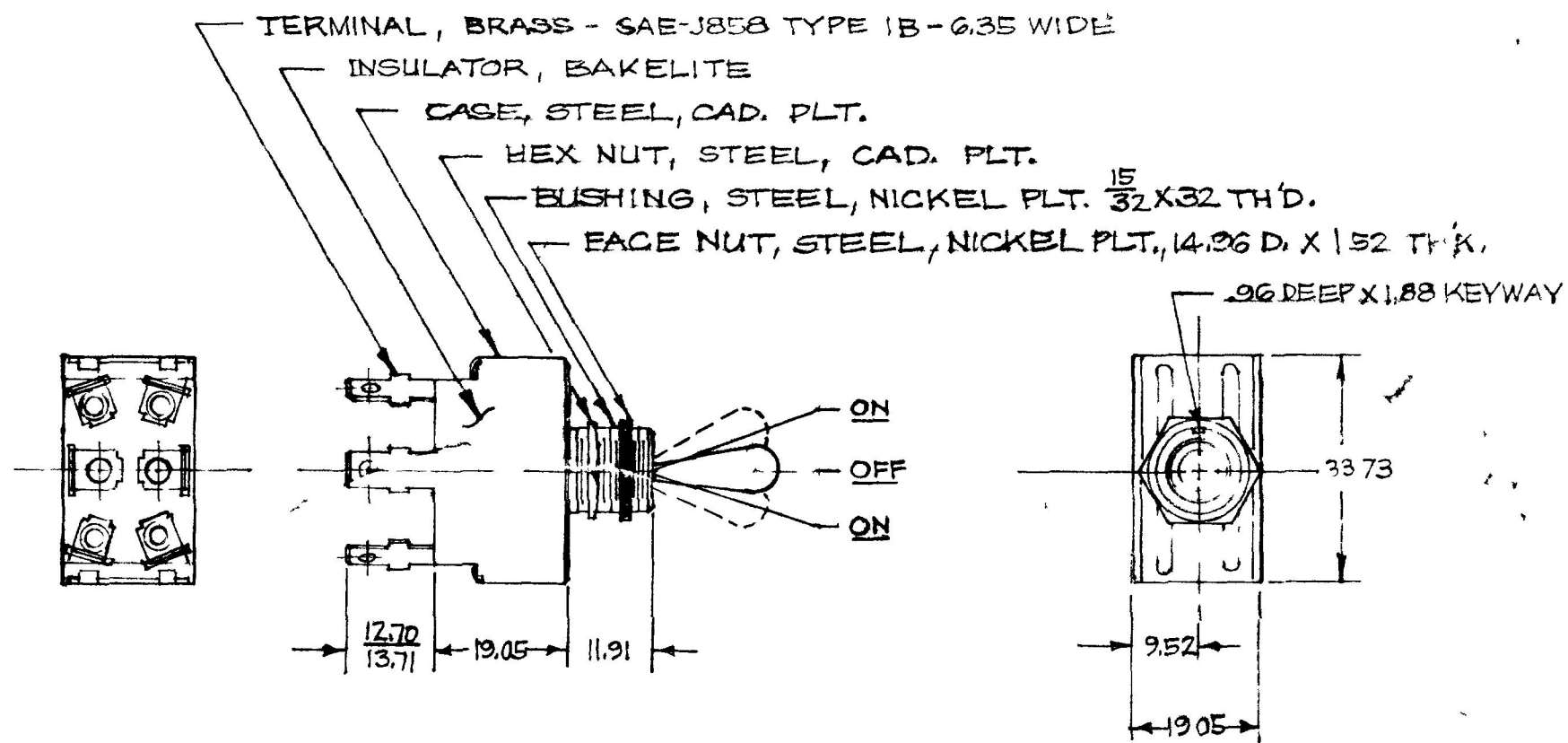


55019

COLE-HERSEE CO.

110
0.5
.380
0.60
.072
0.50
0.375
0.425
1.50
1.50
1.50
1.50
1.50
1.50



NOTE
 (B) SILVER CONTACT SURFACES

METRIC

25 AMPS @ 12V DC

DO NOT SCALE

| LET | WAS | DATE | BY | LET | WAS | DATE | BY | MATERIAL NOTED | DRAWN | CHECKED | APPRV D | SCALE | DATE DRAWN |
|-----|-----|------|----|-----|-------------------------|---------|----|-------------------------|---|---------|---------|-------|----------------|
| | | | | | | | | FINISH | GS | TJ | | FULL | 8-21-56 |
| | | | | | | | | | COLE-HERSEE COMPANY BOSTON, MASS 02127, USA | | | | DATE BLUEPRINT |
| | | | | B | ADD NOTE/25432 | 9/14/93 | JH | TOLERANCES FRACTIONAL ± | D.P.D. ... TOGGLE SWITCH | | | | 55019 |
| | | | | A | RE D.F.A.W.I. IN METRIC | 6-6-77 | JK | DECIMAL ± .25 | | | | | |

SPAULDING CO INC 21 5353