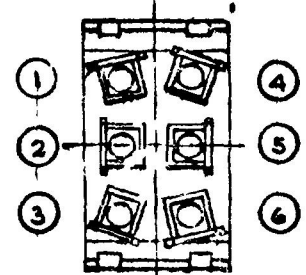
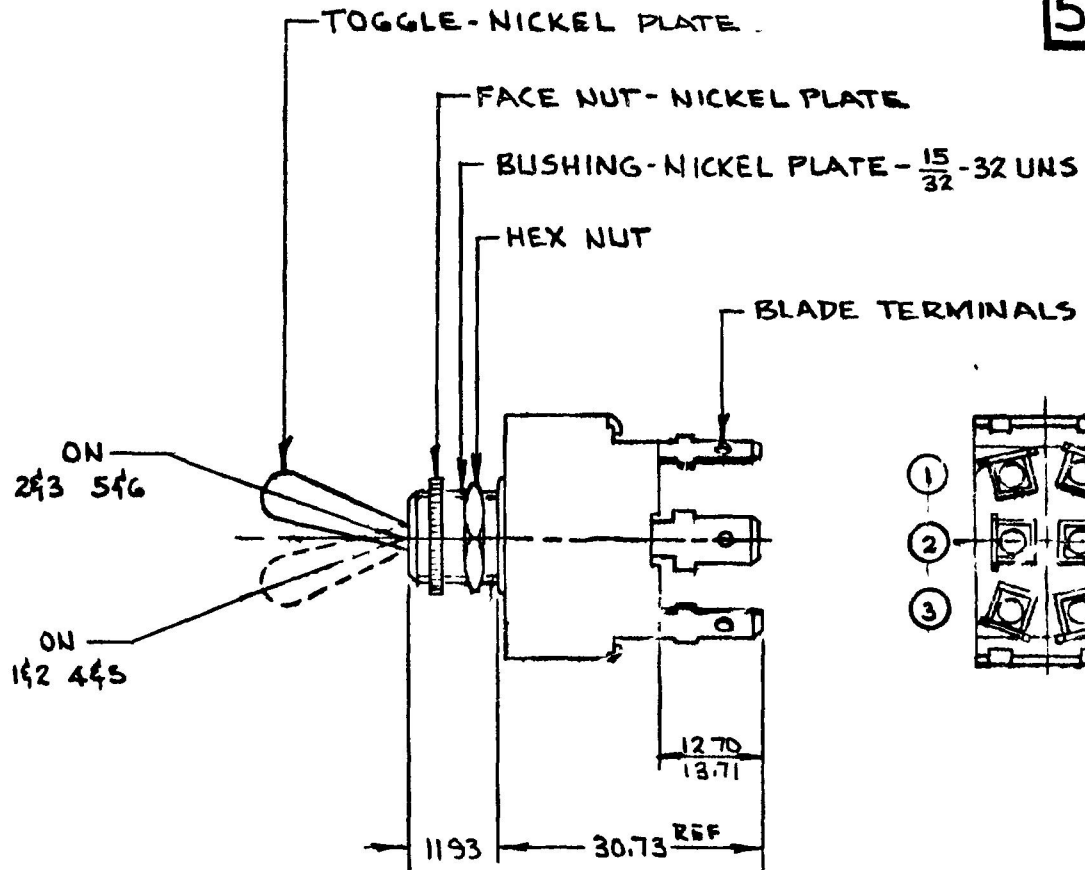
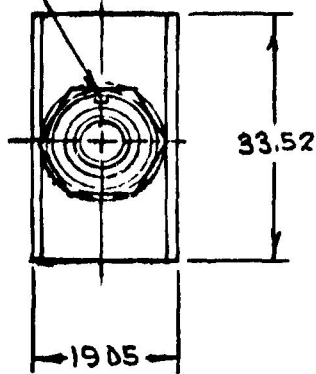


| | |
|-------|-------|
| MM | IN |
| .50 | .020 |
| 1.62 | .072 |
| 11.93 | .470 |
| 12.70 | .500 |
| 15.71 | .640 |
| 19.05 | .750 |
| 25.40 | 1.000 |
| 31.75 | 1.250 |
| 38.10 | 1.500 |

55018

KEYWAY 96 X 1.82



NOTE
 (A) SILVER CONTACT SURFACES

METRIC 25AMPS @ 12V DC LAMP LOAD

DO NOT SCALE

| LET | WAS | DATE | BY | LET | WAS | DATE | BY | MATERIAL | DRAWN | CHECKED | APPRVD. | SCALE | DATE DRAWN |
|-----|-----|------|----|-----|--------------------|---------|-----|--------------|---------------------------|---------|---------|-------|----------------|
| | | | | | | | | — | GS | H | | 1:1 | 8-21-56 |
| | | | | | | | | FINISH | | | | | DATE BLUEPRINT |
| | | | | | | | | — | | | | | |
| | | | | H | ADD NOTE / 25932 | 1/15/59 | LN | TOLERANCES | TOGGLE SWITCH DPDT | | | | 55018 |
| | | | | G | REDRAWN, NO CHANGE | 7-20-83 | KJE | DECIMAL ± | | | | | |
| | | | | | | | | METRIC ±0.25 | | | | | |

CH-188(4-78)