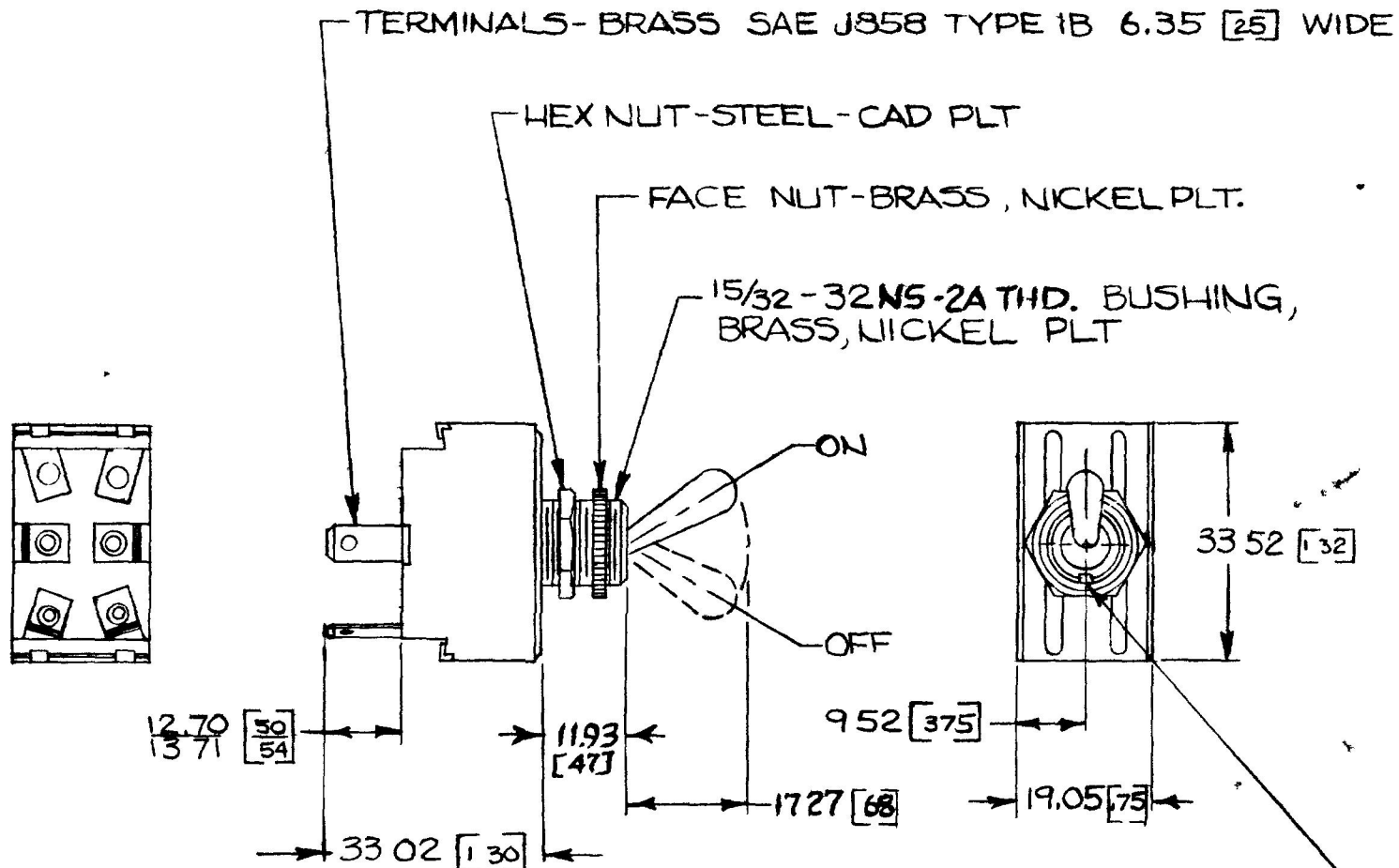


COLE-HERSEE CO. NPM 11-10-75

EX-17265

55017-02



DIMENSIONS MILLIMETERS [INCHES]

1.82 [072] X 96 [038] DEEP KEYWAY

25 AMPS @ 12 V DC

NOTE  
 1" O' RING SEALED (NEOPRENE)  
 (A) 2 SILVER CONTACT SURFACES

DO NOT SCALE

LET	WAS	DATE	BY	LET	WAS	DATE	BY	MATERIAL	DRAWN	CHECKED	APPRV D	SCALE	BASIC, EXCEPT	DATE DRAWN
								<del>—</del>	JWH	TJ		1=1	O-RING SEALED	10-16-75
								FINISH	<b>COLE-HERSEE COMPANY</b> BOSTON, MASS 02127, U.S.A.					DATE BLUEPRINT
							<del>—</del>							
				A	ADD NOTE/25432	7/15/93	TJH	TOLERANCES	DPST. "OFF-ON" TOGGLE SWITCH					55017-02
					ISSUED	11/8/75	TJH	FRACTIONAL ±						
								DECIMAL ± 0.10						