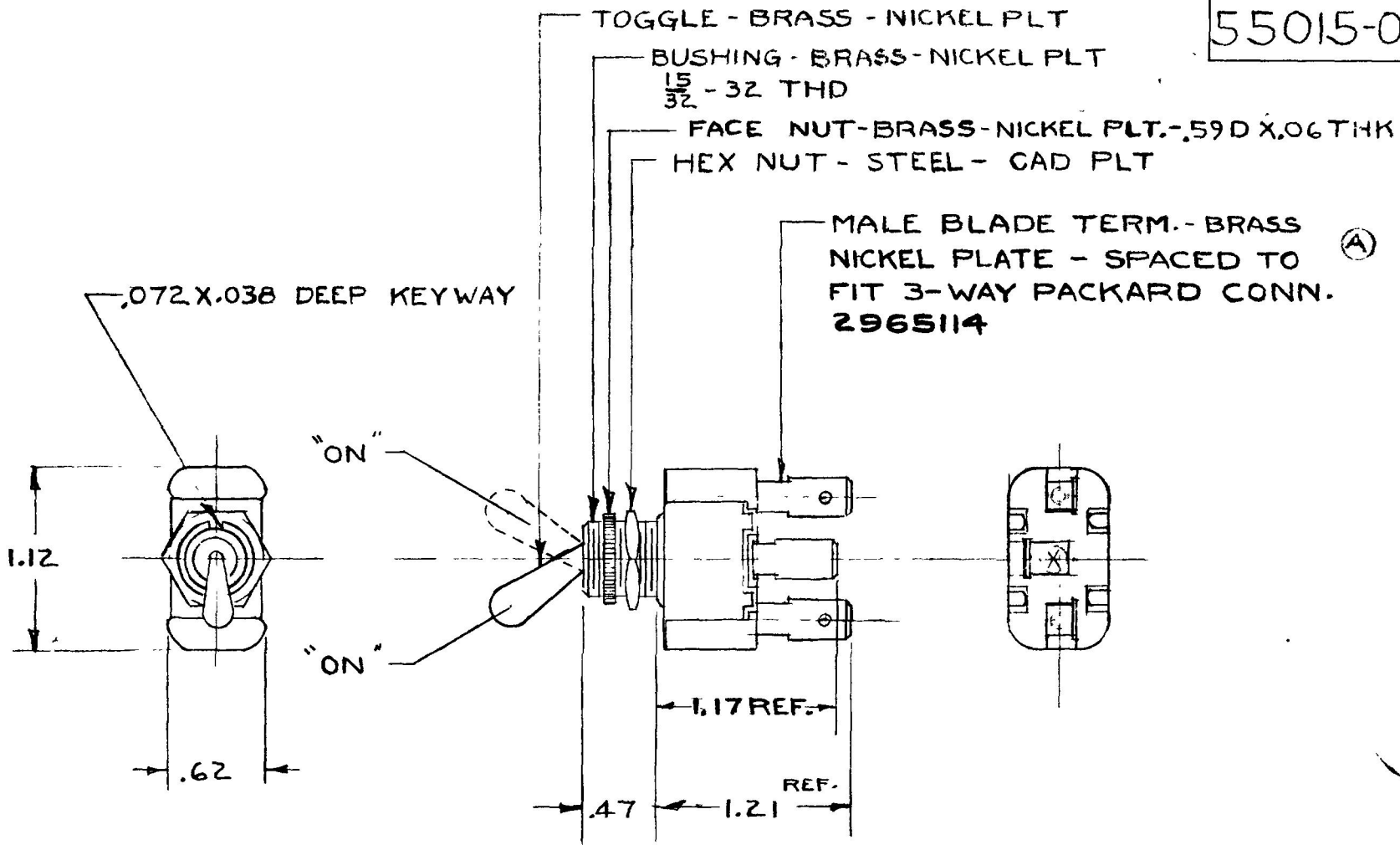


COLE-HERSEE CO.

55015-03



NOTE:
 ⓐ SILVER CONTACT SURFACES

DO NOT SCALE

LET	WAS	DATE	BY	LET	WAS	DATE	BY	MATERIAL	DRAWN	CHECKED	APPR V D	SCALE	LIBRARY	DATE DRAWN
								---	JH	A.S.		1" = 1"	LIBRARY 55015 W/TERMS SPACED TO FIT 3 WAY CONNECTOR. ⓑ	12-26-69
				C	ADD NOTE/25432	9/15/93	JH	---	COLE-HERSEE COMPANY BOSTON, MASS 02127, USA					DATE BLUEPRINT
				B	ADDED 18033	3-14-70	CT	---						
				A	SAE J858	7-20-70	JH	TOLERANCE UNLESS SPECIFIED 2 DECIMAL + .010 3 DECIMAL + .005 ANGULAR ± 2°	SPDT TOGGLE SWITCH					PART NO
				-	ISSUED	6-19-70	VF							