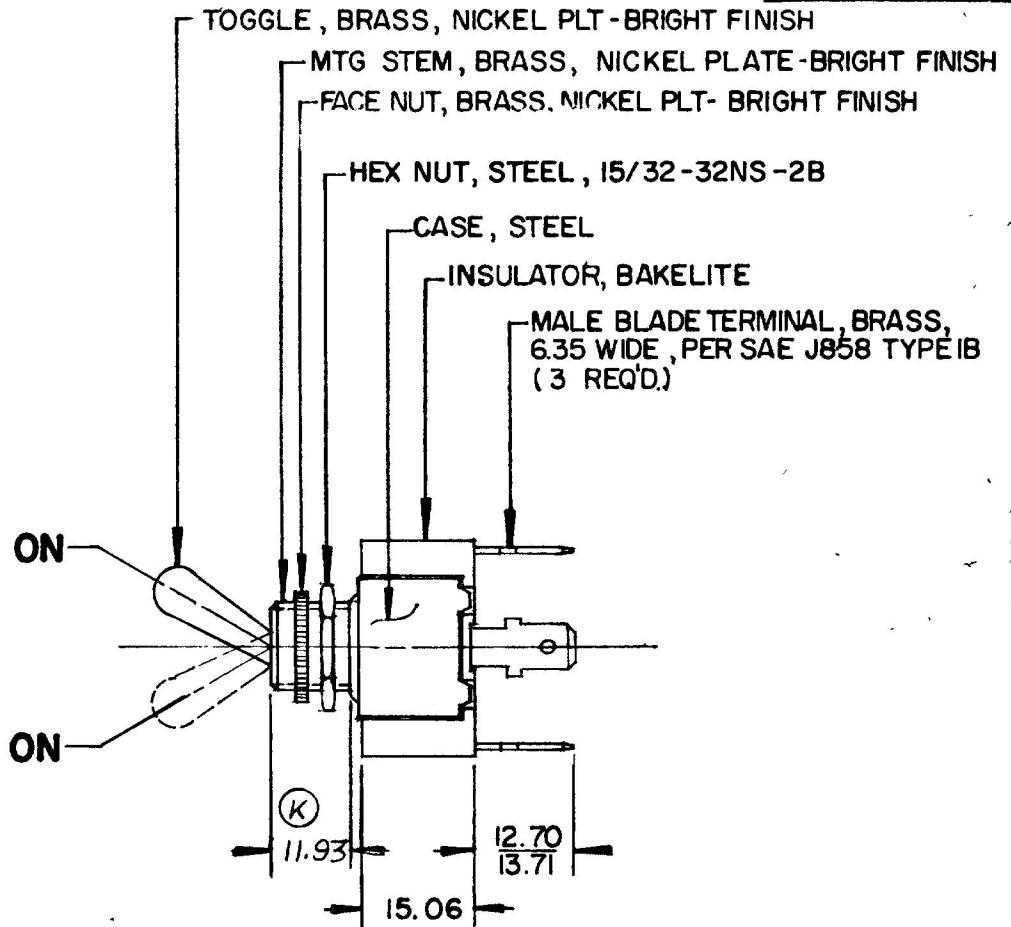
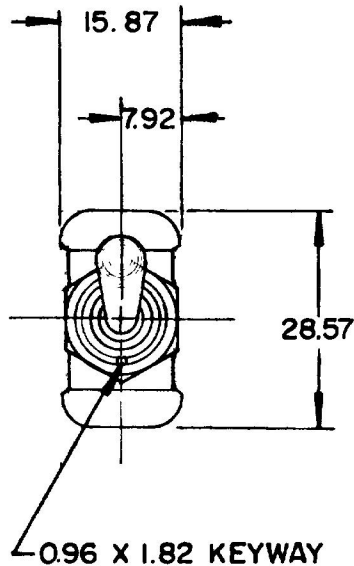


55015

**RATING:**

10 AMPS @ 250 V. A. C.  
 15 AMPS @ 125 V. A. C.  
 25 AMPS @ 12 V. D. C.



**NOTE**

1. ALL STEEL PARTS EITHER ZINC PLATE WITH DICHROMATE DIP OR CADMIUM PLATE
- ① 2. SILVER CONTACT SURFACES

**METRIC**

DO NOT SCALE

LET	WAS	DATE	BY	LET	WAS	DATE	BY	MATERIAL	DRAWN	CHECKED	APPRV'D	SCALE	DATE DRAWN
								#	PLB	5-3-79		1:1	9 - 6 - 56
								FINISH					DATE BLUEPRINT
				L	ADD NOTE / 25432	7/15/93	JH						
				K	.531/21279	1-21-81	ⓑ	TOLERANCES					
				J	REDRAWN	5-2-79	JV	DECIMAL ±	SP-DT TOGGLE SWITCH				55015
								METRIC ± 0.25					



CH-188(4-78)