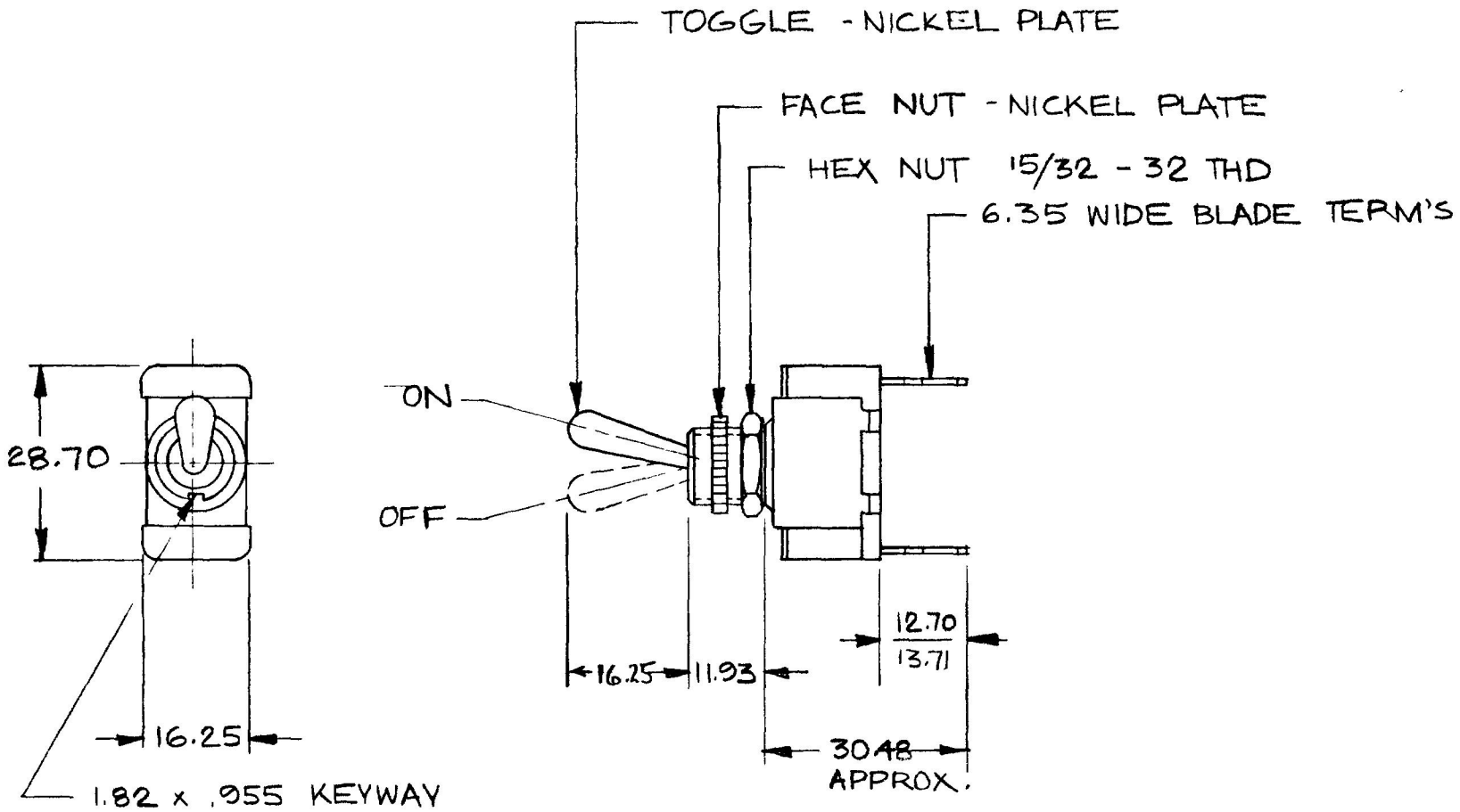


55014-05

MN	IN
.955	.038
1.82	.072
6.35	.25
11.93	.47
12.70	.50
13.71	.54
16.25	.64
28.70	1.13
30.48	1.20



NOTES:

- 1 NEOPRENE O-RING SEAL IN BUSHING
- 2 SILVER CONTACT SURFACES

DO NOT SCALE

METRIC

25AMP-12V DC

LET	WAS	DATE	BY	LET	WAS	DATE	BY	MATERIAL	DRAWN	CHECKED	APPR D	SCALE	DATE DRAWN
								—	RY			1:1	1-21-75
								FINISH	 <small>20 OLD COLONY AVENUE SOUTH BOSTON MA U.S.A. 02127</small>				DATE BLUEPRINT
								TOLERANCES					SWITCH, TOGGLE
				D	ADD NOTE / 25432	4/15/93	TJH	DECIMAL ±					
				C	REDRAWN	4/24/90	RD	METRIC ±					

CH-188(4-78)