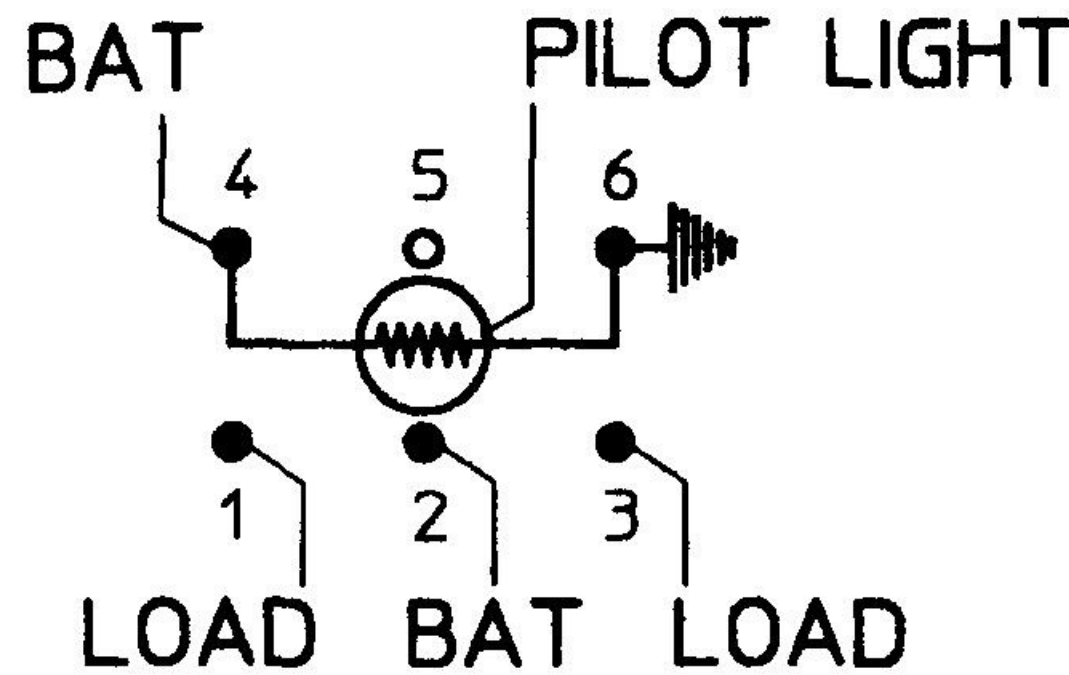
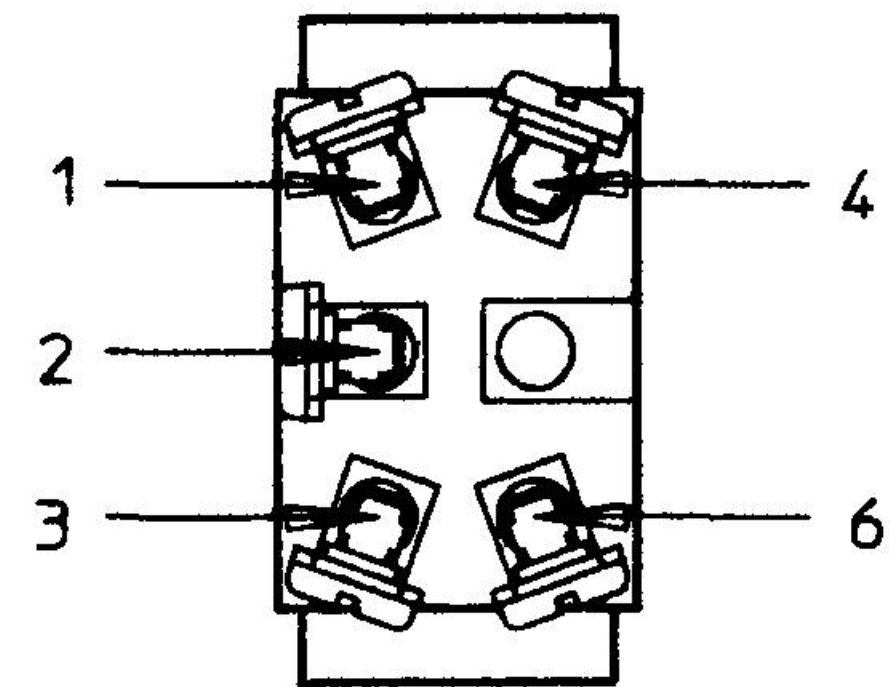
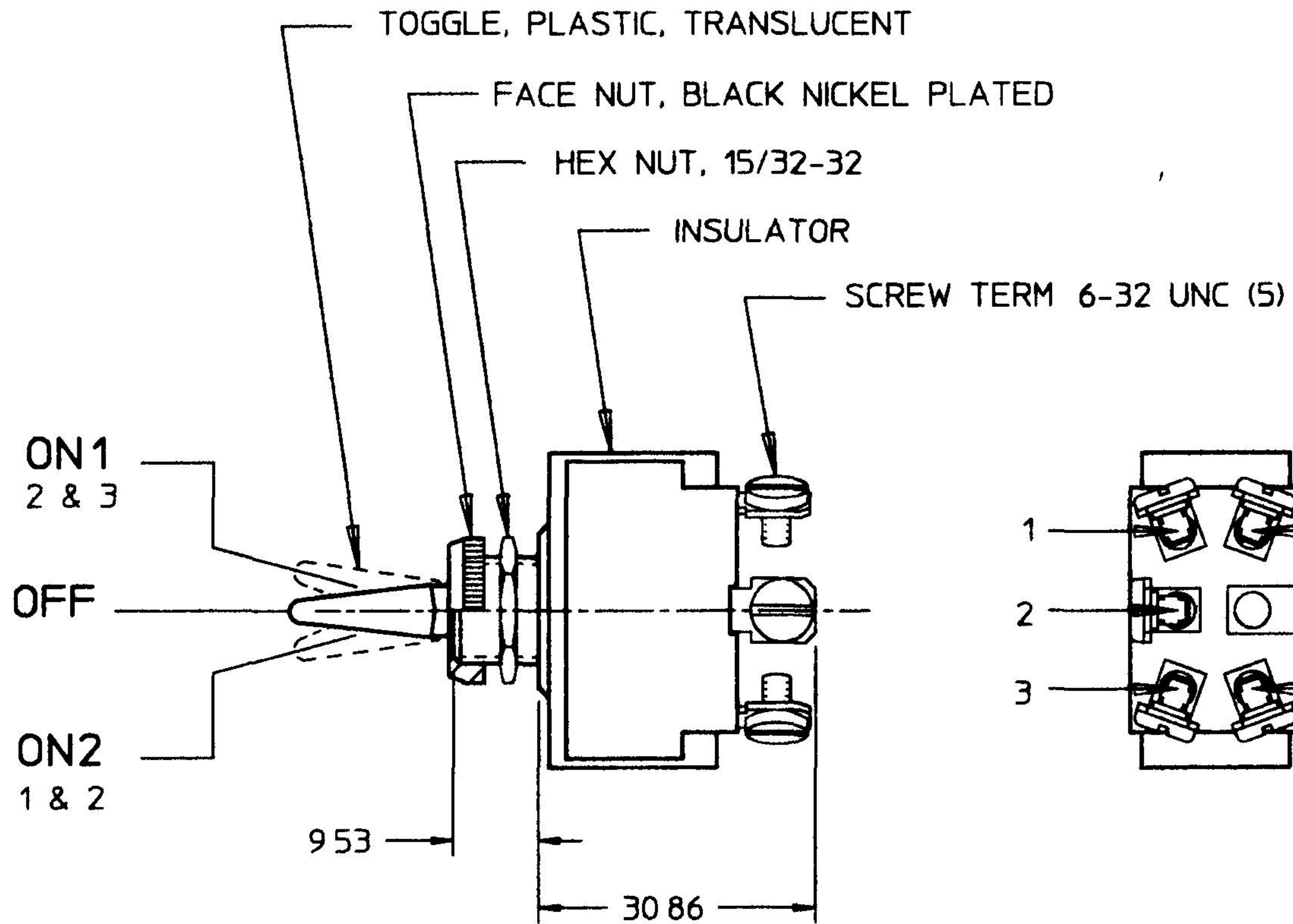
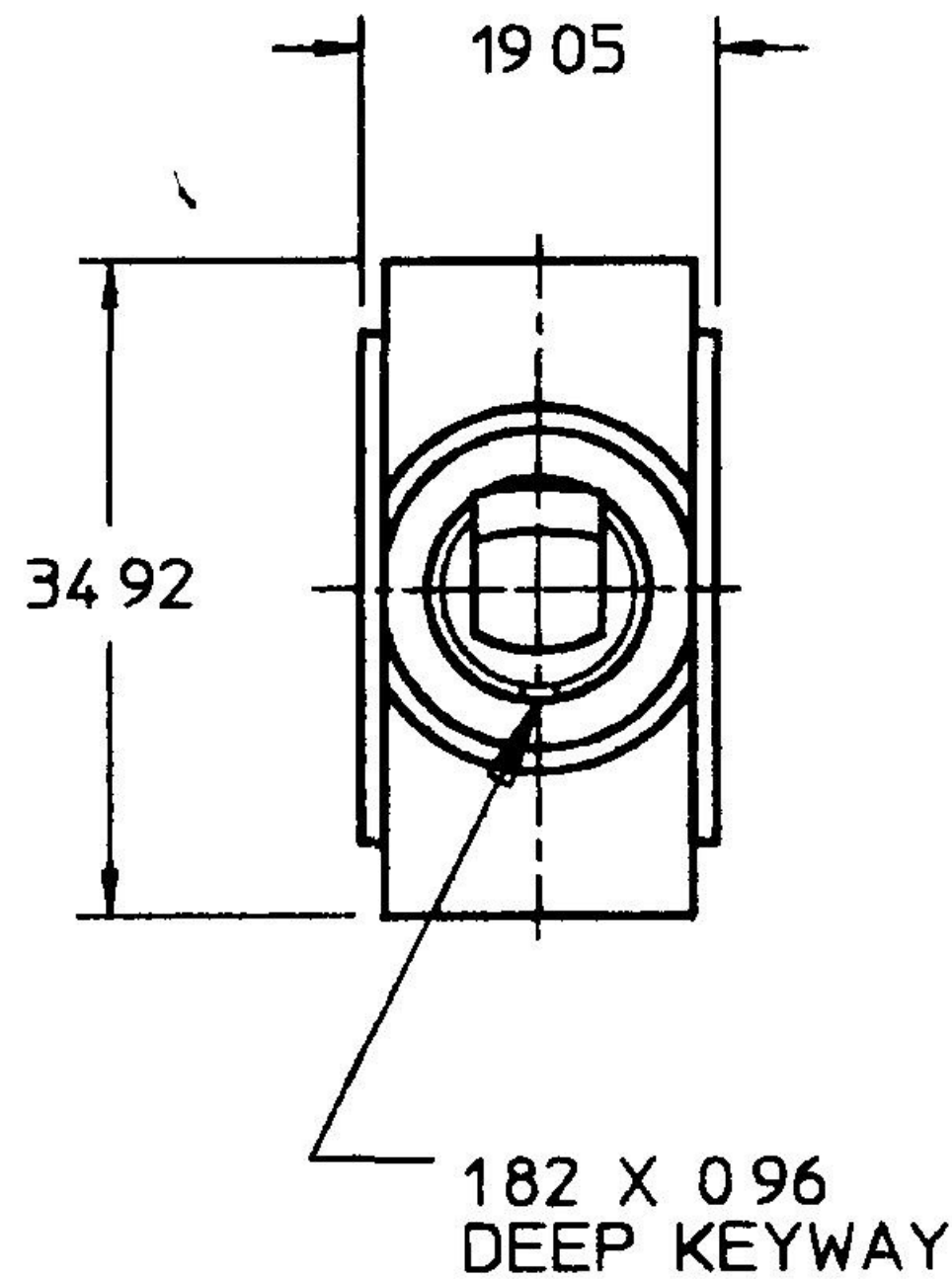


| MM | IN |
|-------|-------|
| 0 96 | 0 032 |
| 1 82 | 0 072 |
| 9 53 | 0 375 |
| 19 05 | 0 750 |
| 30 86 | 1 215 |
| 34 92 | 1 375 |



- NOTES
- 1 SILVER CONTACTS
 - 2 25 AMPS @ 12V DC LAMP LOAD
 - 3 INDEPENDENT PILOT LIGHT (12V BULB) @ 4 & 6 (SEE CHART FOR COLOR)
 - 4 NEOPRENE SEAL IN BUSHING
 - 5 ALL DIMENSIONS REFERENCE

| | |
|-------------|----------------------------|
| ON1 | RED |
| OFF | WHITE |
| ON2 | WHITE |
| TOGGLE POS. | PILOT LT 'ON' TOGGLE COLOR |

METRIC

DO NOT SCALE

| LET | WAS | DATE | BY | LET | WAS | DATE | BY | MATERIAL | DRAWN | CHK | APVD | SCALE | DATE DRAWN |
|-----|-----|------|----|-----|----------------------|----------|-----|--------------------------|--|-----|------|-------|------------------|
| | | | | | | | | | DPS | AF | | 11 | 9/29/81 |
| | | | | B | PER ECO #520107 | 11/15/81 | CM | FINISH | Cole Hersee Co. 20 OLD COLONY AVENUE BOSTON, MA, U.S.A., 02127 | | | | DATE BLUEPRINTED |
| | | | | A | PUT ON CAD ECN 28129 | 3/5/96 | EB | TOLERANCES | SW, TOGGLE SPDT | | | | 54110 |
| | | | | | ISSUED | 11/2/81 | RJF | DECIMAL ±0.10 ANGLE ± | | | | | |