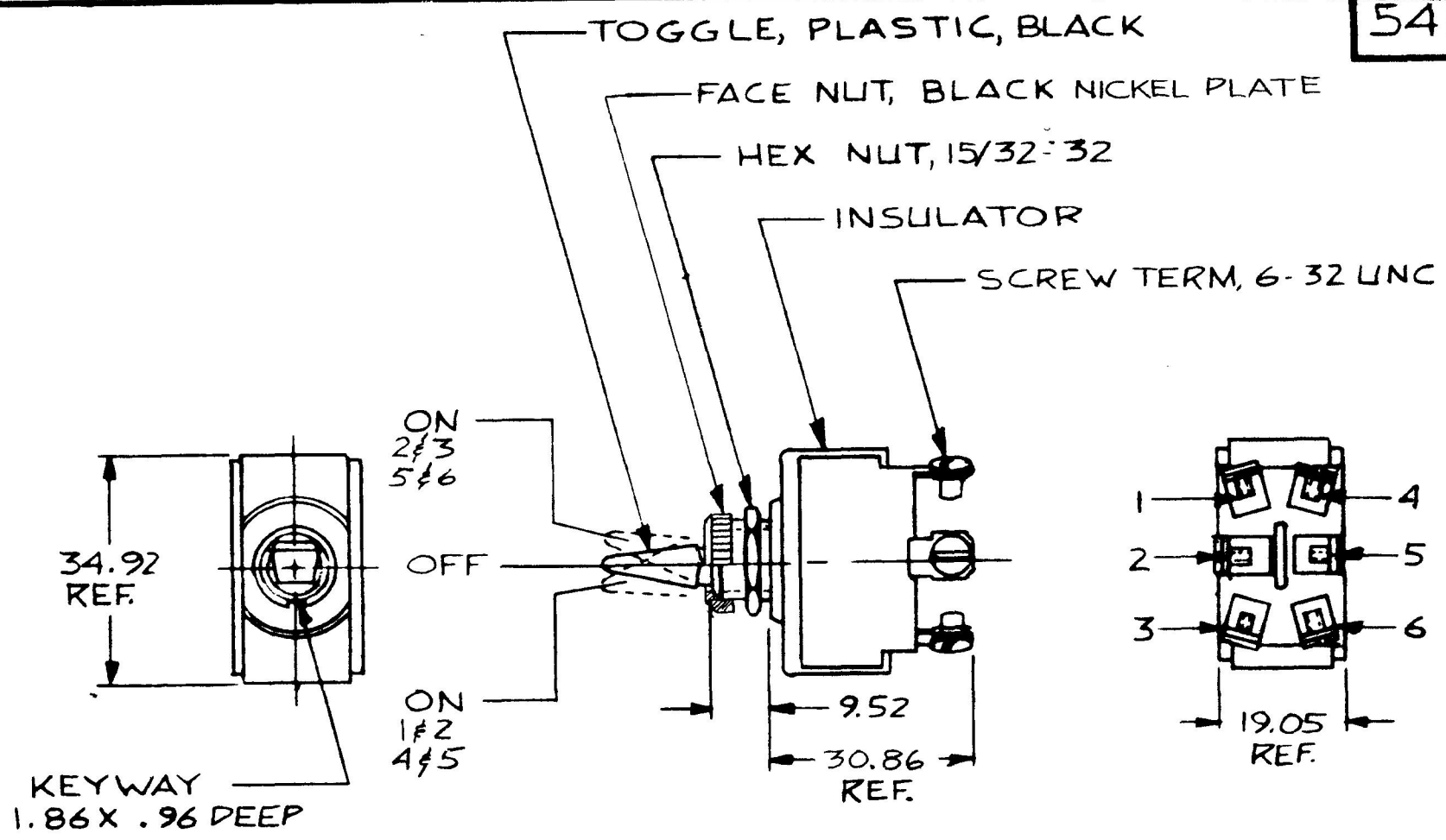


54107

| | |
|-------|-------|
| IM | IN |
| .96 | .038 |
| .82 | .072 |
| .52 | .375 |
| 10.05 | .750 |
| 30.86 | 1.215 |
| 31.92 | 1.375 |



NOTES
 1. SILVER CONTACTS
 2. RATING: 25AMPS @12V. DC LAMP LOAD

METRIC

DO NOT SCALE

| LET | WAS | DATE | BY | LET | WAS | DATE | BY | MATERIAL | DRAWN | CHECKED | APPROVED | SCALE | DATE DRAWN |
|-----|-----|------|----|-----|--------|---------|-----|----------------|--|---------|----------|-------|----------------|
| | | | | | | | | # | DPS | RJA | | 1:1 | 10-5-81 |
| | | | | | | | | FINISH | Cole Hersee Co. <small>20 OLD COLONY AVENUE SOUTH DENVER CO. U.S.A. 80177</small> | | | | DATE BLUEPRINT |
| | | | | | | | | TOLERANCES | | | | | |
| | | | | | | | | DECIMAL ± .010 | D.P.D.T. TOGGLE SW. | | | | 54107 |
| | | | | | ISSUED | 11-2-81 | RJP | METRIC ± .25 | | | | | |