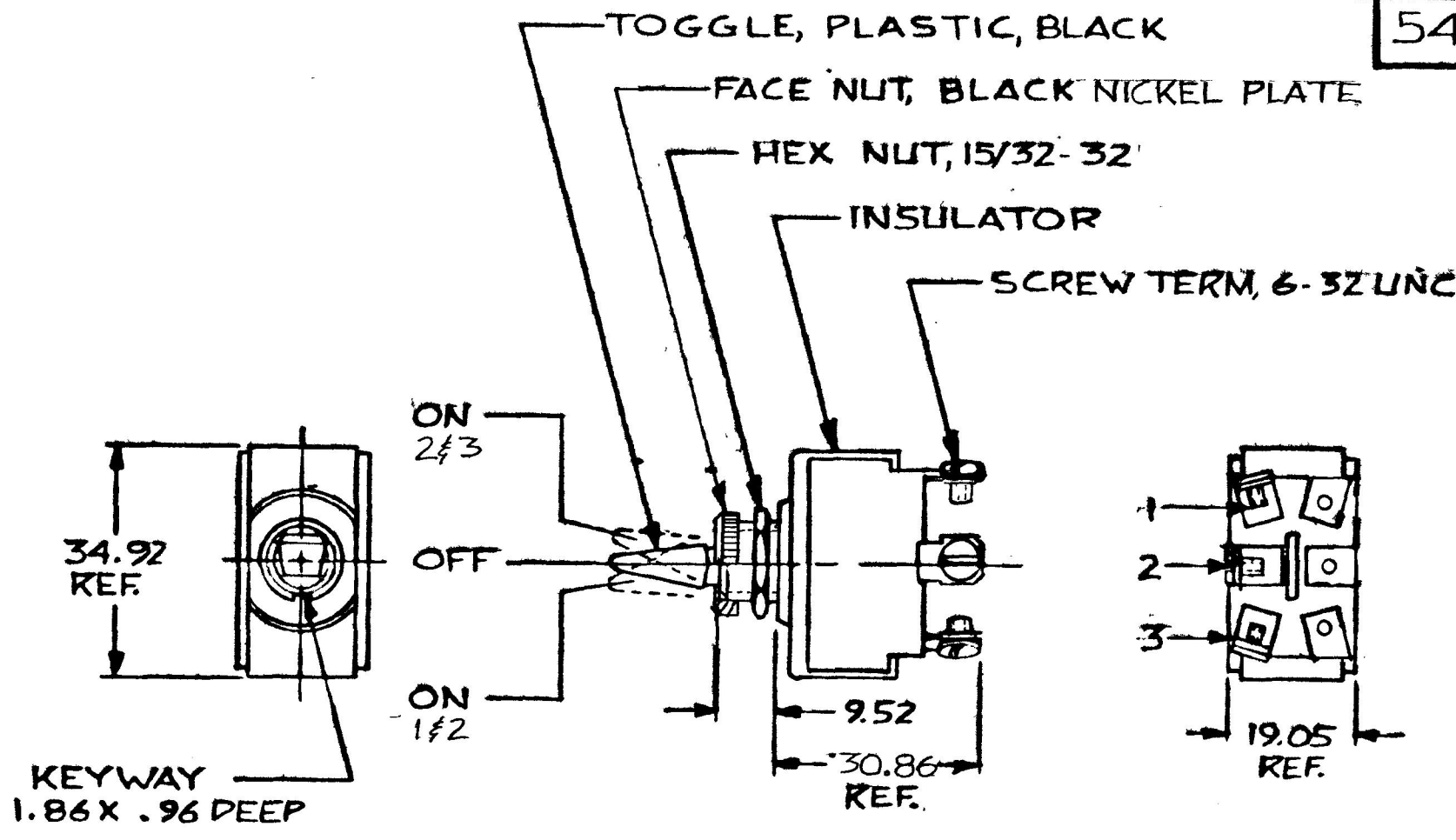


MM	IN
.96	.038
1.82	.072
9.52	.375
19.05	.750
30.86	1.215
31.92	1.2575

54103



NOTES  
 1. SILVER CONTACTS  
 2. RATING: 25AMPS @12V. DC  
 LAMP LOAD

METRIC

DO NOT SCALE

LET	WAS	DATE	BY	LET	WAS	DATE	BY	MATERIAL	DRAWN	CHECKED	APPRV D	SCALE	DATE DRAWN
								<del>H</del>	DPS	RH		1:1	10-5-81
								FINISH	Cole Hersee Co. <small>25 OLD COLONY AVENUE SOUTH BOSTON, MA U.S.A. 02127</small>				DATE BLUEPRINT
								TOLERANCES	S.P.D.T. TOGGLE SW.				54103
							ISSUED	DECIMAL ±.010					
						11-2-81	RVP	METRIC ±.25					

10014-781