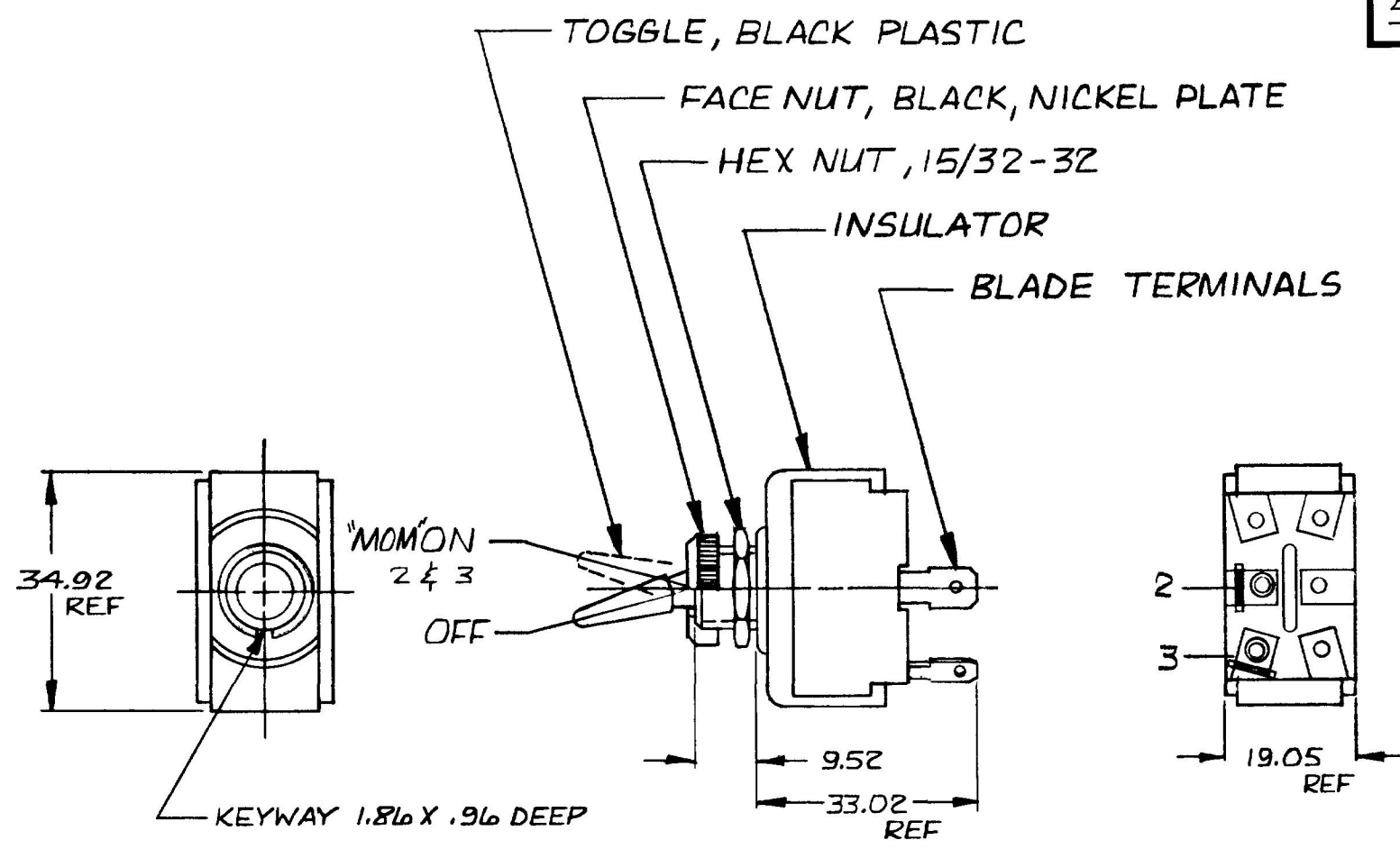


MM	IN
.25	.010
.96	.038
1.86	.072
9.52	.375
19.05	.750
33.02	1.300
34.92	1.375


54101-01



- NOTES:
1. SILVER CONTACTS
 2. RATING: 25 AMPS @ 12 VDC LAMP LOAD

METRIC

DO NOT SCALE

LET	WAS	DATE	BY	LET	WAS	DATE	BY	MATERIAL	DRAWN	CHECKED	APPRV D	SCALE	DATE DRAWN
								#	R	RJA		1:1	11-5-81
								FINISH	 20 OLD COLONY AVENUE SOUTH BOSTON MA USA 02127				DATE BLUEPRINT
								#					
								TOLERANCES	S.P.-S.T. MDM. TOGGLE SW.				54101-01
								DECIMAL ±					
								METRIC ±.25					

CH-188(4-78)