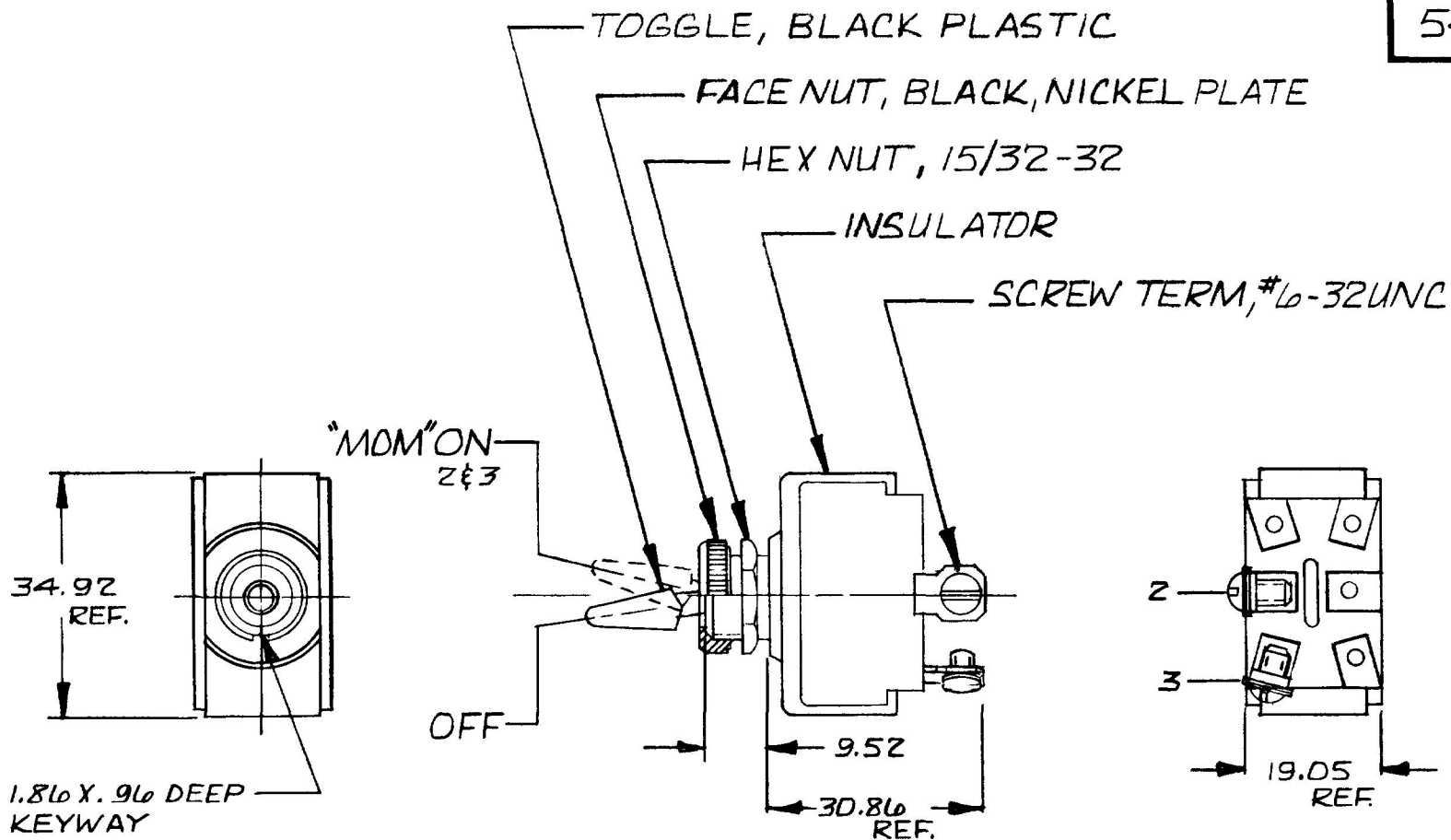


| | |
|-------|-------|
| | .010 |
| .96 | .038 |
| 1.82 | .072 |
| 9.52 | .375 |
| 19.05 | .750 |
| 30.86 | 1.215 |
| 34.92 | 1.375 |


54101



- NOTES:
1. SILVER CONTACTS
 2. RATING 25AMP @ 12V DC LAMP LOAD

METRIC

DO NOT SCALE

| LET | WAS | DATE | BY | LET | WAS | DATE | BY | MATERIAL | DRAWN | CHECKED | APPRV D | SCALE | DATE DRAWN |
|-----|-----|------|----|-----|--------|---------|-----|--------------|--|---------|---------|-------|----------------|
| | | | | | | | | — # — | Ⓡ | RJA | | 1:1 | 11-3-81 |
| | | | | | | | | FINISH |  <small>20 OLD COLONY AVENUE SOUTH BOSTON MA U.S.A 02127</small> | | | | DATE BLUEPRINT |
| | | | | | | | | — # — | | | | | |
| | | | | | | | | TOLERANCES | S.P.S.T. TOGGLE SWITCH | | | | 54101 |
| | | | | | | | | DECIMAL ± | | | | | |
| | | | | | | | | METRIC ± .25 | | | | | |
| | | | | | Issued | 11-4-81 | RJA | | | | | | |

CH-188(4-78)