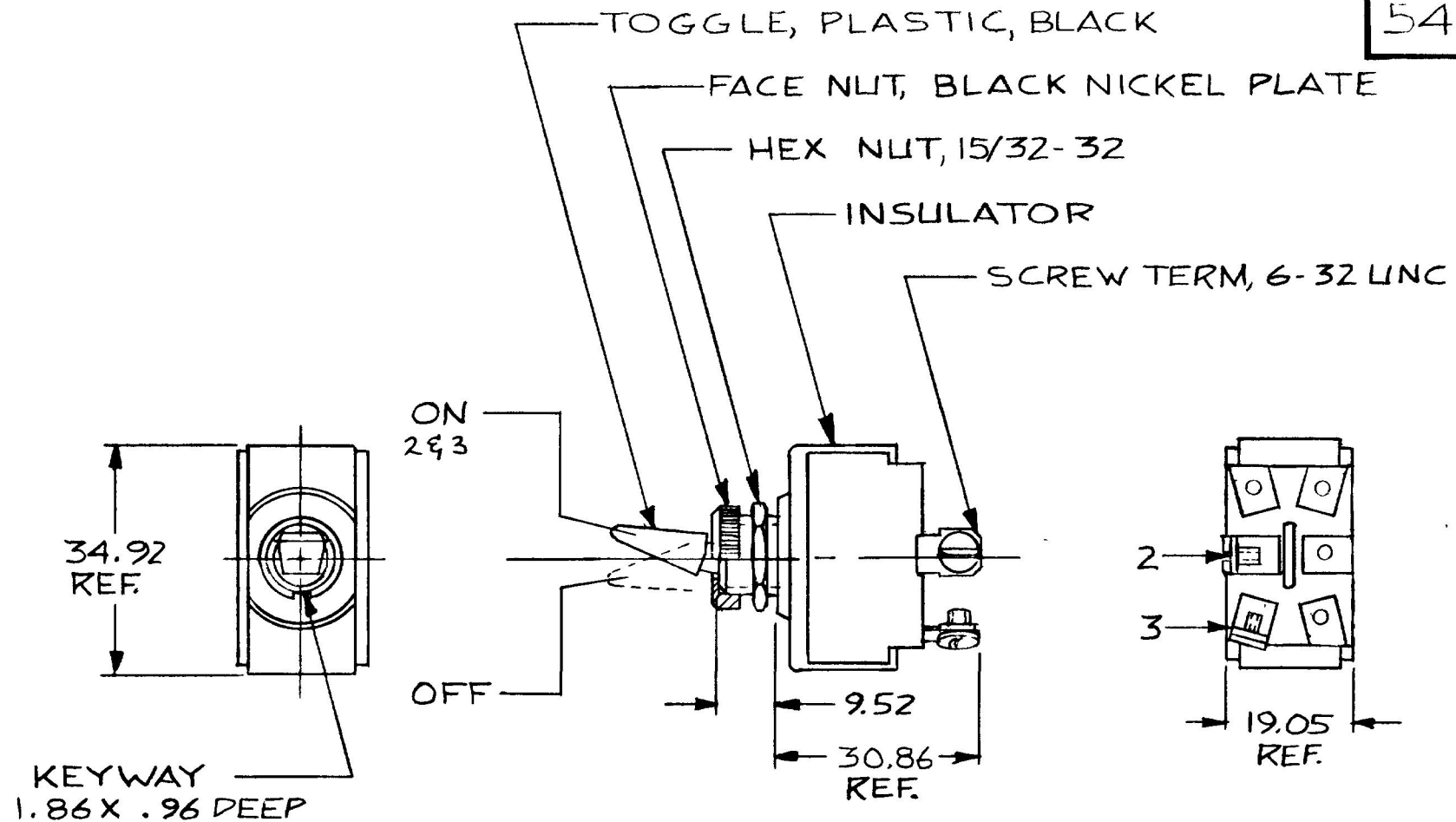


MM IN
 .96 .038
 1.82 .072
 9.52 .375
 19.05 .750
 30.86 1.215
 34.92 1.375


54100



NOTES
 1. SILVER CONTACTS
 2. RATING: 25AMPS @12V. DC.
 LAMP LOAD

METRIC

DO NOT SCALE

LET	WAS	DATE	BY	LET	WAS	DATE	BY	MATERIAL	DRAWN	CHECKED	APPR'D	SCALE	DATE DRAWN
								—H—	DPS	RJA		1:1	10-5-81
								FINISH	 20 OLD COLONY AVENUE SOUTH BOSTON MA U.S.A. 02127				DATE BLUEPRINT
								—H—					
								TOLERANCES	S.P.S.T. TOGGLE SW.				54100
								DECIMAL ±.010					
					ISSUED	11-2-81	RJA	METRIC ±.25					

CH-188(4-78)