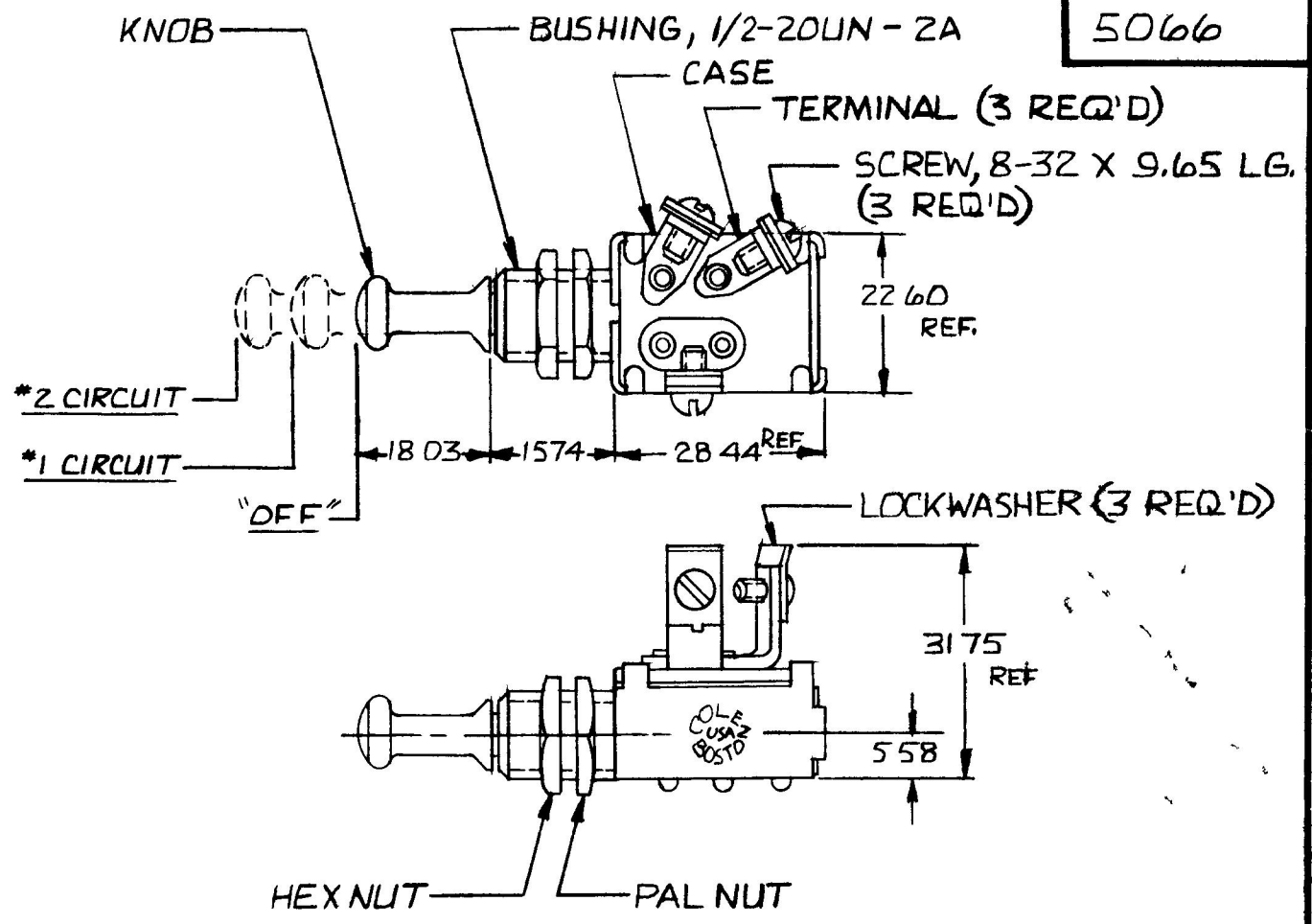


MM	IN
25	010
58	220
74	620
03	710
60	890
44	1,120
75	1,250

5066



NOTES'

- 1. 8 AMPS @ 12V DC
- 2. ALL STEEL PARTS PLATED

METRIC

DO NOT SCALE

LET	WAS	DATE	BY	LET	WAS	DATE	BY	MATERIAL	DRAWN	CHECKED	APPR'D	SCALE	DATE DRAWN
								—H—	DS	RA		1:1	1-20-48
								FINISH —H—					DATE BLUEPRINT
								TOLERANCES DECIMAL ± METRIC ± .25					PUSH-PULL SWITCH
				P	REDRAWN	12980	RS						

CH 188(4 78)