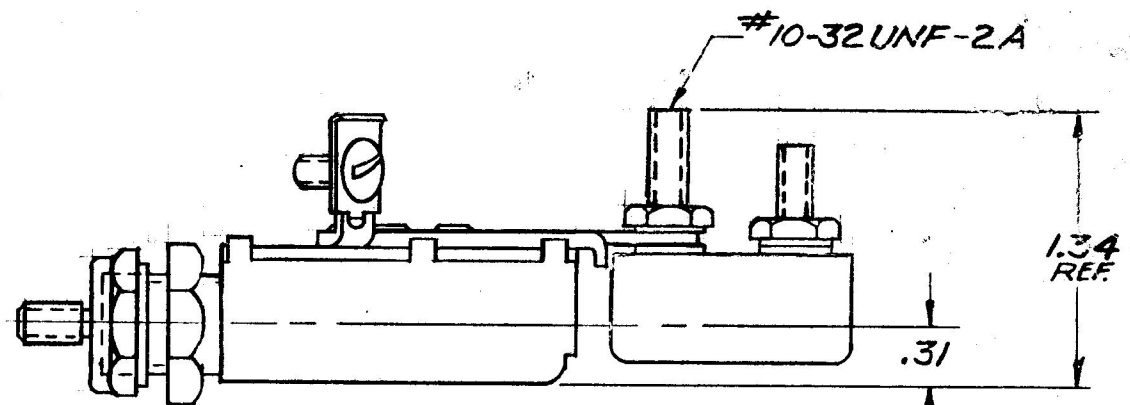
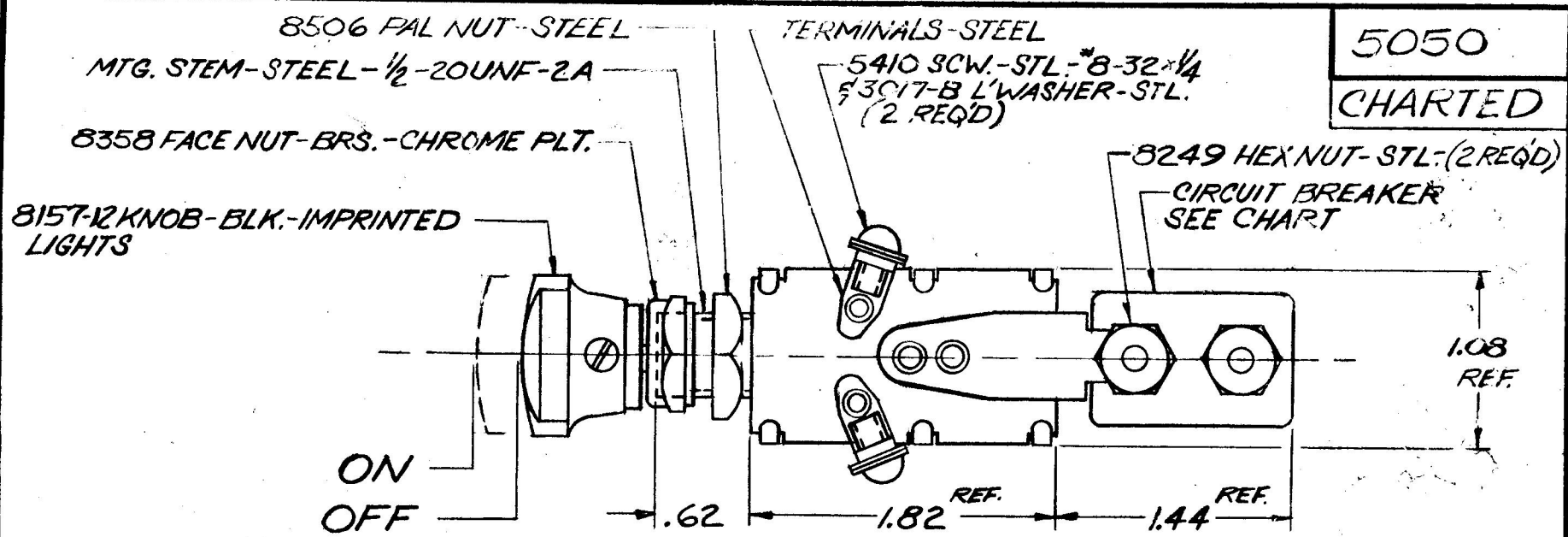


COLE-HERSEE CO.

T&E 1002

5050
CHARTED



NOTES:
1. SILVERED CONTACT SURFACES
2. ALL STEEL PARTS PLATED

5050-10	SEE SEPARATE DWG	
5050-09	SEE SEPARATE DWG	
5050-08	SEE SEPARATE DWG	
5050-07	P30056-40	40
5050-06	P30056-25	25
5050-05	P30056-20	20
5050-04	P30056-15	15
5050-03	P30056-10	10
5050-02	P30056-8	8
5050-01	P30056-6	6
5050	P30056-30	30
PART NO.	CIRCUIT BREAKER	AMPS

Handwritten notes:
Junk
Mark
Mark

DO NOT SCALE

LET	WAS	DATE	BY	LET	WAS	DATE	BY	MATERIAL	DRAWN	CHECKED	APPRV'D.	SCALE	DATE DRAWN
									LG	LPG		FULL	5-7-72
				S	25234	10/20/72	JH	FINISH	COLE-HERSEE COMPANY BOSTON, MASS. 02127, U.S.A.				DATE BLUEPRINT
				R	-08-09-10 ADDED	1-15-76	LY	TOLERANCES FRACTIONAL ± DECIMAL ±.01					PUSH-PULL SWITCH
				Q	REDRAWN CHART ADDED	7-26-78	CT						

SPAULDING CO., INC. 47570