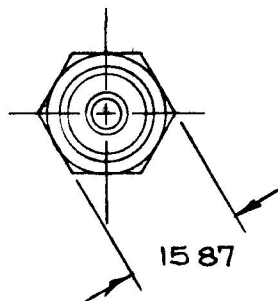
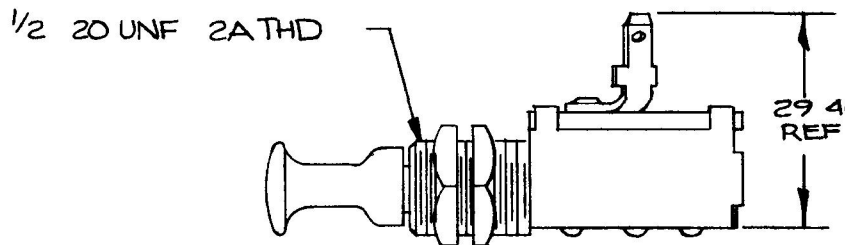
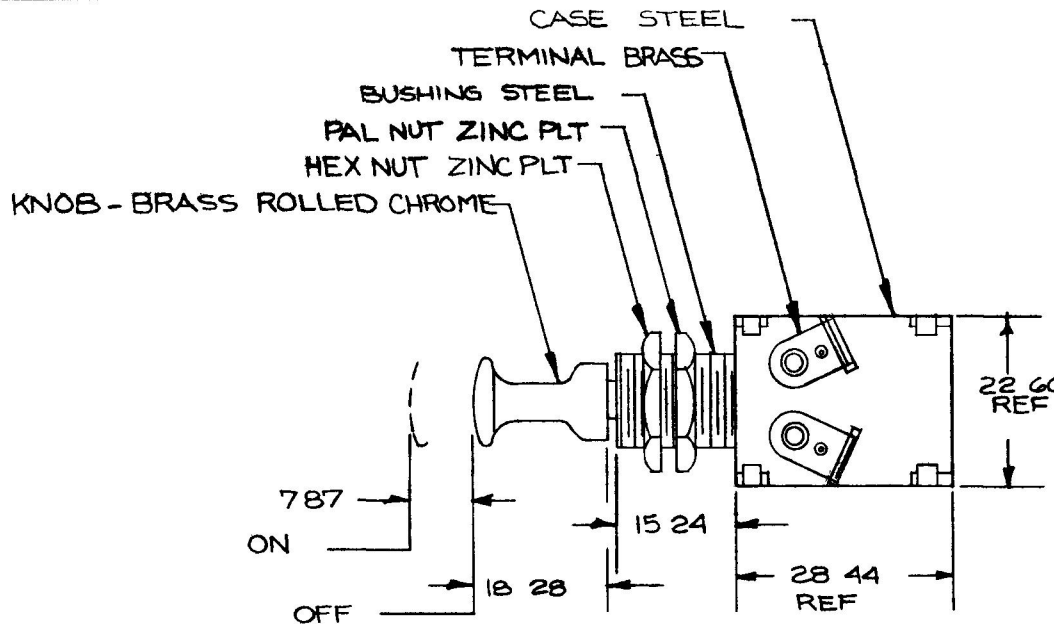


50070

MM	IN
254	010
787	310
1574	620
1587	625
1828	720
2260	890
2844	112
2946	116



DETAIL SHOWN LESS KNOB

NOTE
 (E) 1 ALL STEEL PARTS PLATED

2 10 A @ 12 VOLTS

DO NOT SCALE

LET	WAS	DATE	BY	LET	WAS	DATE	BY	MATERIAL NOTED	W	PP	SC	DATE DRAWN
									S	AF	11	6 9 64
								FINISH	Cole Hersee Co. ON ON			DATE BLUEPRINT
								TOLERANCES DECIMAL ± METRIC ± .254				PUSH PULL LIGHT SWITCH ASSY
				E	C ^D R / 25234	10/22/92	TJH					
				D	REDRAWN	8 10 88	BY					

CH 188(4 78)