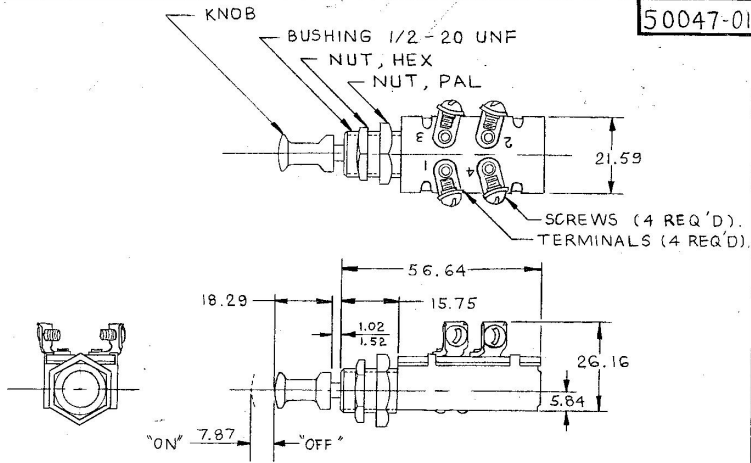


MM IN
 1.02 .040
 1.52 .060
 5.84 .230
 7.87 .310
 5.75 .220
 8.29 .320
 1.59 .060
 6.16 0.240
 6.64 0.260

50047-01



NOTE:
 Ⓢ I. ALL STEEL PARTS PLATED.

METRIC

DO NOT SCALE

LET.	WAS	DATE	BY	LET	WAS	DATE	BY	MATERIAL	DRAWN	CHECKED	APPROVD	SCALE	DATE DRAWN
								#	CW	AF		1:1	9-12-68
								FINISH NOTED	 <small>1200 FIFTH AVE. NEW YORK, N.Y. 10017</small>				DATE BLUEPRINT
								TOLERANCES					
								DECIMAL ±	SW. PUSH-PULL D.P.S.T.				50047-01
								METRIC ±.25					