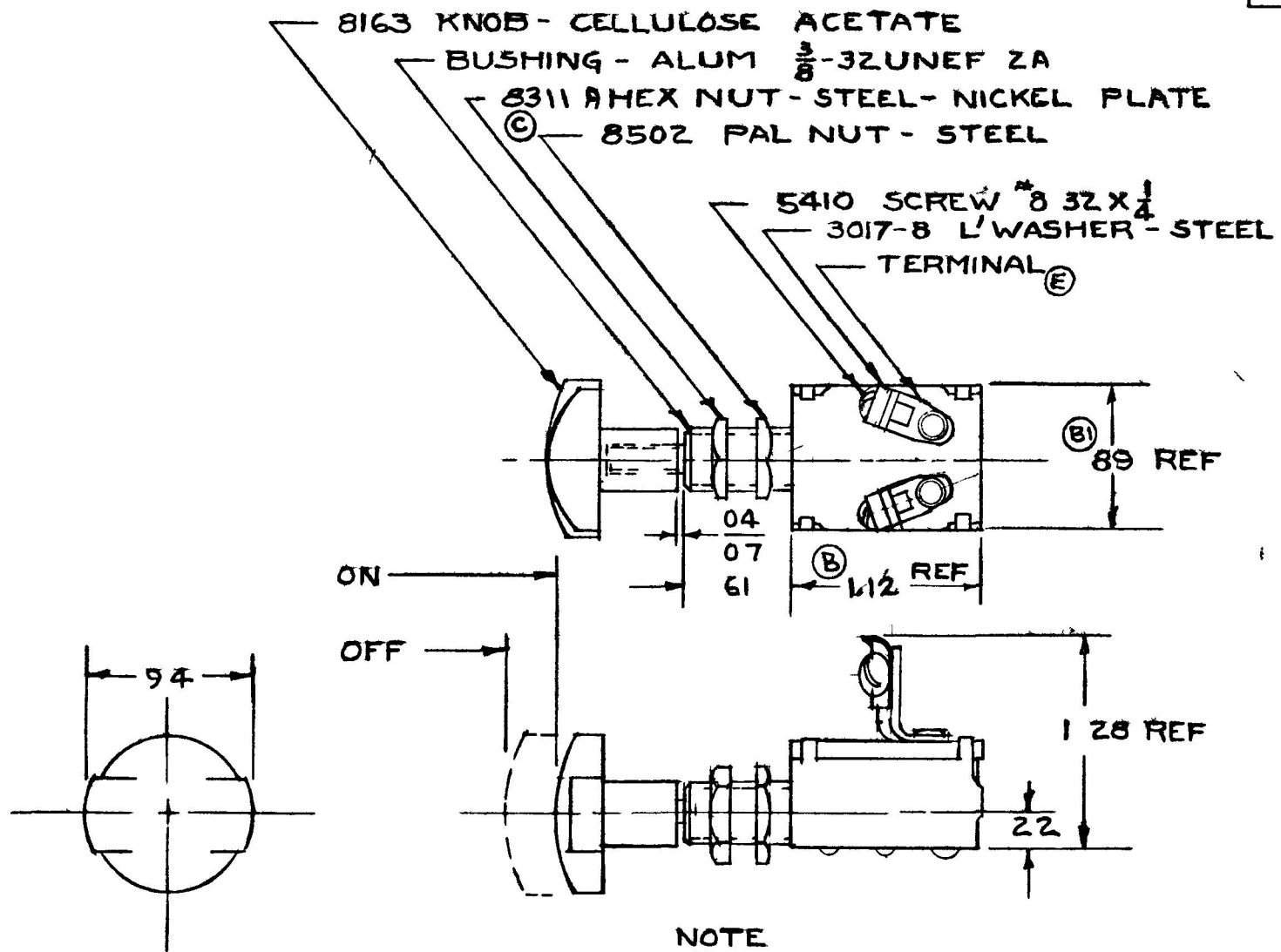


50046

COLE-HERSEE CO



NOTE
 (C) ALL STEEL PARTS PLATED

10 AMPS @ 12 VDC

DO NOT SCALE

LE	AS	DATE	AS	DATE	TE	WN	APP	SCA	WN
			E	ECN # 99282	6/30/99	AS	EA LPG	1=1	3-9-60
			D	CAD 2/INC 2/25239	10/22/92	TJH	COLE HERSEE COMPANY ST SS 02127		
			C	8311 18554	3-20-78	68			
			B1	1 1/2 88 17578	1-11-72	RF	PUSH-PULL SWITCH 50046		
			A	REDRAWN 04 16796	10-6-69	VH			