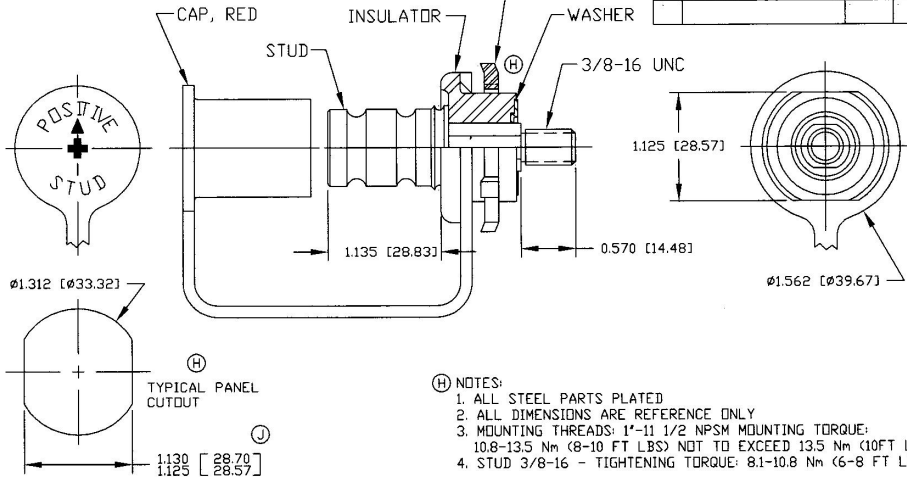


### Revision Control Record

Rev.	Description of Change	ECN No.	Date
H	NOTES & VIEW	03189	5/29/03
J	DIMENSIONS & VIEW	03733	12/23/03

① 1"-11 1/2 NPSM  
CONDUIT LOCKNUT  
(POINTS TOWARD FLANGE)



④ NOTES:

1. ALL STEEL PARTS PLATED
2. ALL DIMENSIONS ARE REFERENCE ONLY
3. MOUNTING THREADS: 1"-11 1/2 NPSM MOUNTING TORQUE:  
10.8-13.5 Nm (8-10 FT LBS) NOT TO EXCEED 13.5 Nm (10FT LBS)
4. STUD 3/8-16 - TIGHTENING TORQUE: 8.1-10.8 Nm (6-8 FT LBS)

**Tolerances:** Unless otherwise specifically noted, the following are default tolerances:

- \* 2-place Decimal Dimensions:  $\pm 0.02"$
- \*\* 3-place Decimal Dimensions:  $\pm 0.005"$
- \* Angular Dimensions:  $\pm 0.1$  Deg.
- \* Metric: Refer to equivalent English Dimension Tolerance
- >>> NOTE: All tolerances are Non-Cumulative. <<<

**Dimensional Units:** All dimensions are expressed in inches except those shown in brackets (xxx) are expressed in millimeters

\*NPT" or an ASME B1.1 Non-Toleranced Reference Dimension, shown for clarification purposes only.

**PROPRIETARY INFORMATION:** This Engineering Drawing, and the information contained herein, is proprietary to Cole Hersee Company and may not be disclosed, re-produced, or in any other way transmitted or communicated to any other party without the express written consent of an authorized representative of Cole Hersee Company.

**DESIGN CONTROL:** It is the responsibility of the individual using/referencing this drawing to ensure that the latest design revision level agrees with the revision level of the Controlled Document (Master Drawing). This is a NON-CONTROLLED DOCUMENT unless otherwise specifically noted.

**DO NOT SCALE:** Dimensional variation may occur during printing/reproduction.

**Special Characteristics:**



Critical Characteristics, relating to Safety and/or Regulatory Compliance



Significant Characteristics relating to Process Control (SPC)



Key Characteristics relating to Form - Fit - Function as defined by Cole Hersee Company and/or the Customer

(Note that the identification of any Characteristics as being "Special" does not alter the requirement that ALL specified dimensions & tolerances must be met.)



**Cole Hersee Co.**

20 Old Colony Ave., South Boston, MA, 02127  
Phn 617-268-2100 Web www.colehersee.com

Description:

**JUMPER STUD, POS.**

Drawing/  
Part No.:

**46210-01**

Current Rev.

**J**

Used On or Ref: **EX18810-D** Scale: **1:1**

Drawn By: **RMT**

Date Drawn: **6/20/80**

Responsible Engineer: **SAM** Pg. 1 of 1