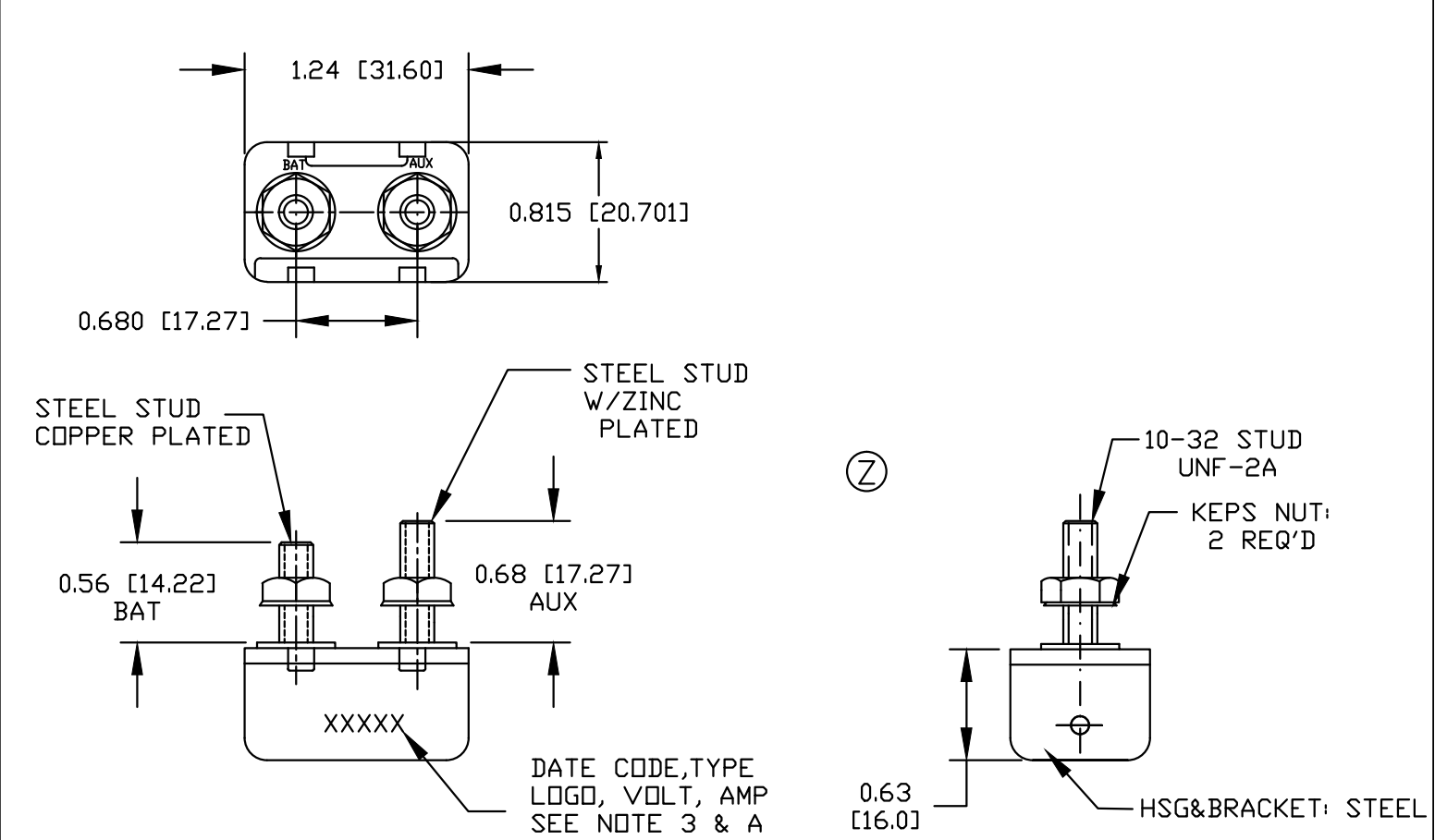
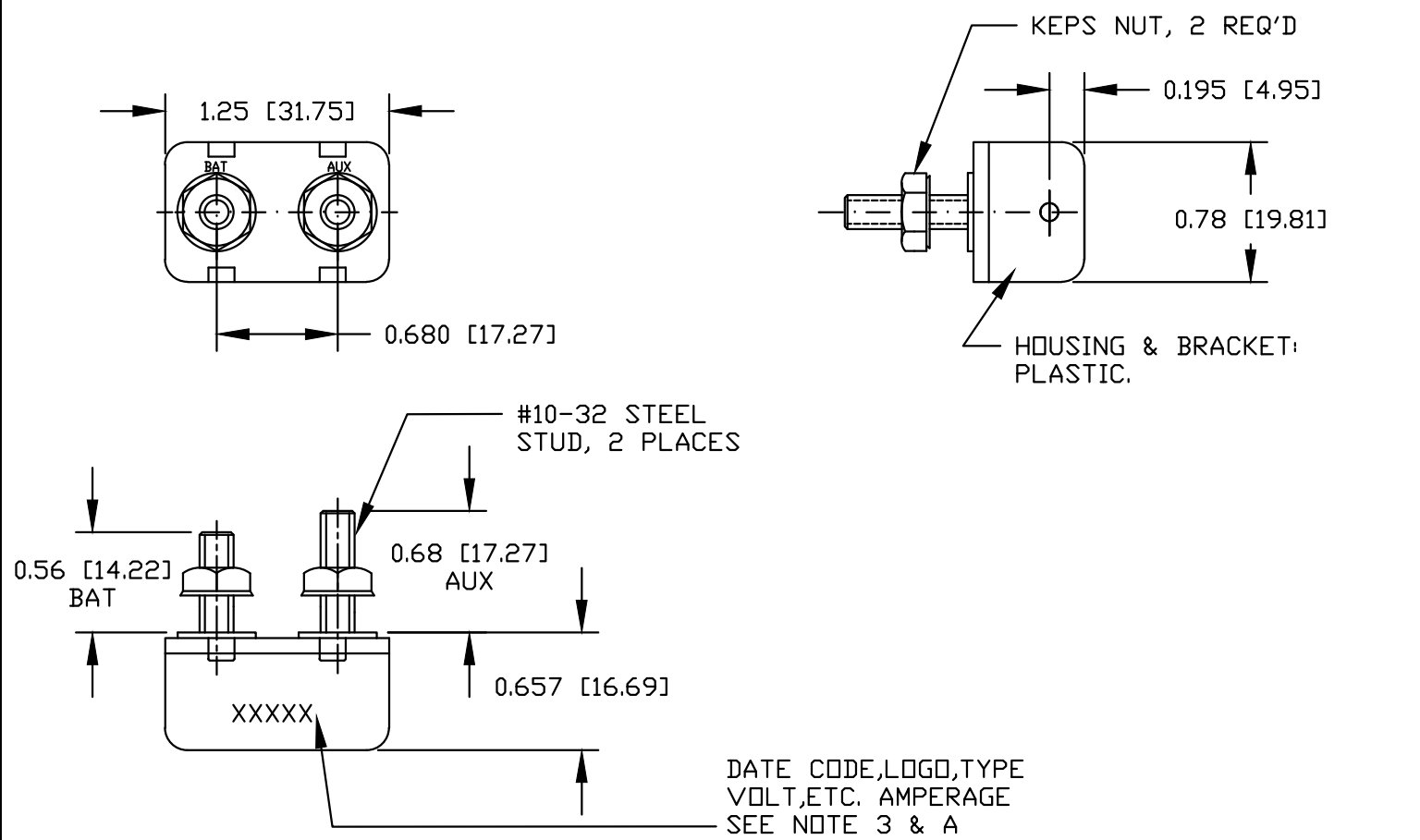


TRADITIONAL CONSTRUCTION

ALTERNATE CONSTRUCTION

A METAL HOUSING WITH STEEL STUDS

B METAL HOUSING, COPPER & STEEL STUD



TYPE OF CIRCUIT BREAKERS

TYPE 1:
CYCLING CIRCUIT BREAKER

- NOTES:
1. ALL STEEL PARTS PLATED
 2. ALL DIMENSIONS ARE REFERENCE ONLY
 3. LOGO AMPERAGE, VOLTAGE, TYPE & DATE CODE STAMPED LEGIBLY ON CASE SIDE
 4. CIRCUIT BREAKER MEETS SAE J553 JUN 88
 5. METAL HOUSING IS STEEL W/ZINC YELLOW DICHROMATE OR CLEAR ZINC.
 6. HARDWARE: STEEL, ZINC PLATED
 7. COLE HERSEE/LITTELFUSE MAY SUPPLY EITHER CONSTRUCTION-TYPE A OR TYPE B.

ADDITIONAL NOTES:

A) STAMP COLE HERSEE LOGO & DATE CODE AS TO WEEK & YEAR OF MANUFACTURE

| Revision Control Record | | | | Revision Control Record | | | | Tolerances Unless otherwise specifically noted, the following are default tolerances: * 2-place Decimal Dimensions +/- .02" * 3-place Decimal Dimensions +/- .005" * Angular Dimensions +/- 1.0 Deg. * Metric: Refer to equivalent English Dimension Tolerance >>> NOTE: All tolerances are Non-Cumulative. <<< | PROPRIETARY INFORMATION This Engineering Drawing, and the information contained herein, is proprietary to Cole Hersee Company and may not be disclosed, re-produced, or in any other way transferred or communicated to any other party without the express written consent of an authorized representative of Cole Hersee Company. DESIGN CONTROL It is the responsibility of the individual using / referencing this drawing to assure that the noted design revision level agrees with the revision level of the Controlled Document (Master Drawing). This is a NON-CONTROLLED DOCUMENT unless otherwise specifically noted. DO NOT SCALE - Dimensional variation may occur during printing / reproduction. | Key for Special Characteristics: | | Cole Hersee Co. 20 Old Colony Ave., South Boston, MA, 02127 Phn: 617-268-2100 Web: www.colehersee.com |
|-------------------------|-----------------------|---------|----------|-------------------------|-----------------------|---------|------|--|---|---|----|---|
| Rev. | Description of Change | ECN No. | Date | Rev. | Description of Change | ECN No. | Date | | | CC | CD | |
| Z | CHANGE NOTE | 11288 | 09/29/14 | | | | | | | CIRCUIT BREAKER, 24 V | | |
| | | | | | | | | | | Drawing / Part No.: 30171 SERIES CHART | | |
| | | | | | | | | | | Current Rev. Z | | |