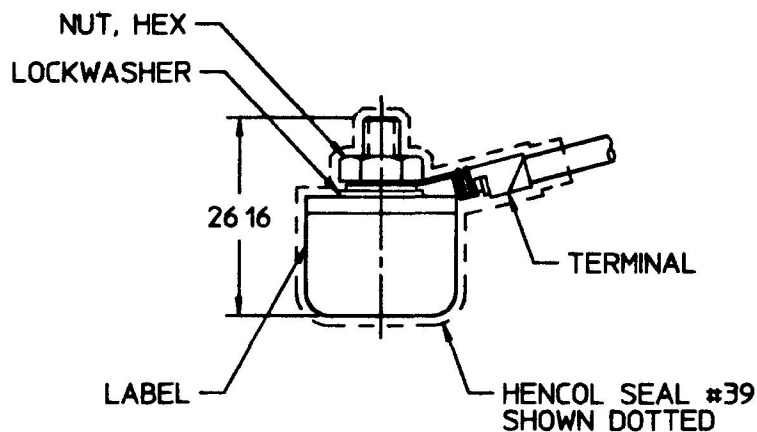
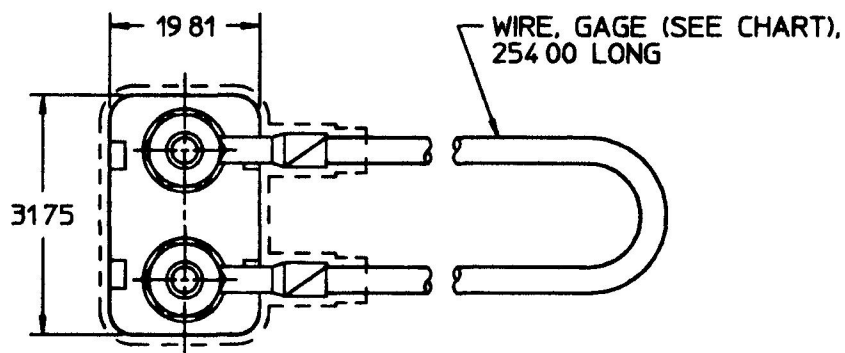


30063

CHART

MM	IN
19.81	0.780
26.16	1.030
31.75	1.250
254.00	10.000
1.0mm ²	16 GA
2.0mm ²	14 GA
3.0mm ²	12 GA



METRIC

30063-40	40	3.0 mm ²	BROWN
30063-30	30	3.0 mm ²	RED
30063-25	25	2.0 mm ²	WHITE
30063-20	20	2.0 mm ²	BLACK
30063-15	15	1.0 mm ²	YELLOW
30063-10	10	1.0 mm ²	GREEN
30063-8	8	1.0 mm ²	ORANGE
30063-6	6	1.0 mm ²	BLUE

Ⓝ NOTES
1. ALL DIMS ARE REFERENCE ONLY

ASSY NO | AMPS | WIRE GA | WIRE COLOR

DO NOT SCALE

LET.	WAS	DATE	BY	LET.	WAS	DATE	BY	MATERIAL	DRAWN	CHK	APVD	SCALE	DATE DRAWN
									GH	<i>[Signature]</i>		11	10/13/55
								FINISH	Cole Hersee Co. 20 OLD COLONY AVENUE, BOSTON, MA, U.S.A. 02127			DATE BLUEPRINTED	
				N	ECN 98574	06/07/98	WL	TOLERANCES	CIRCUIT BREAKER WITH			30063	
				M	PUT ON CAD / ECN #25898	6/9/95	MJT	DECIMAL ± ANGLE ±	INTEGRAL WIRE LOOP				

Confidential Property of Cole Hersee