

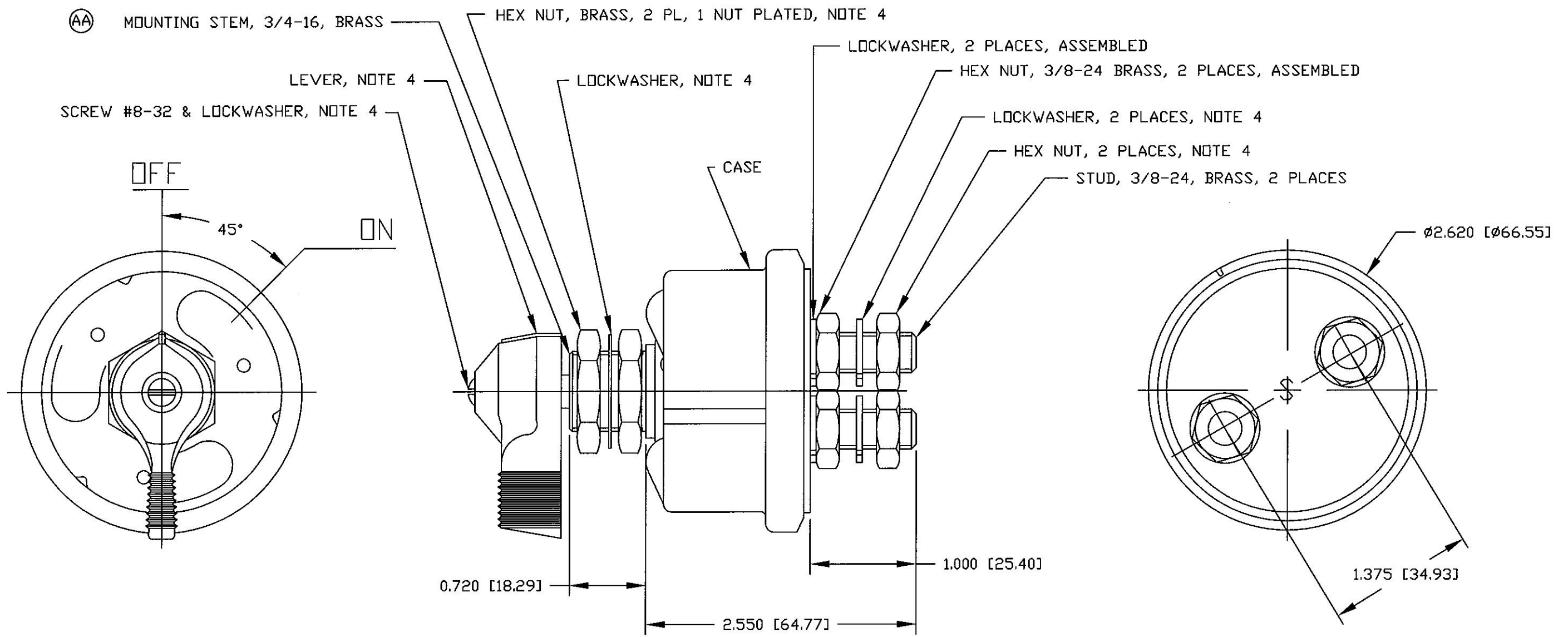
4

3



2

1



- Ⓐ MOUNTING STEM, 3/4-16, BRASS
- HEX NUT, BRASS, 2 PL, 1 NUT PLATED, NOTE 4
- LEVER, NOTE 4
- LOCKWASHER, NOTE 4
- SCREW #8-32 & LOCKWASHER, NOTE 4
- LOCKWASHER, 2 PLACES, ASSEMBLED
- HEX NUT, 3/8-24 BRASS, 2 PLACES, ASSEMBLED
- LOCKWASHER, 2 PLACES, NOTE 4
- HEX NUT, 2 PLACES, NOTE 4
- STUD, 3/8-24, BRASS, 2 PLACES
- CASE

NOTES:

1. SILVER CONTACT SURFACES
2. ALL STEEL PARTS PLATED
3. ALL DIMENSIONS REF. ONLY
4. PARTS MAY BE ASSEMBLED OR SUPPLIED IN A BAG
5. RATING:
CONTINUOUS - 175 AMPS 6-12-24-36 V DC
INTERMITTENT-1000 AMPS MAX 6-12-24-36 V DC 15 SECONDS 'ON' 5 MINUTES 'OFF'
- Ⓐ 6. TORQUE SPECIFICATIONS:
MOUNTING STEM NUTS: 20 FT LBS [27 N.m] MAX
3/8" NUTS 70-90 IN LBS [8-10 N.m]

Revision Control Record				Rev.	Description of Change	ECN No.	Date	Tolerances Unless otherwise specifically noted, the following are default tolerances:	PROPRIETARY INFORMATION This Engineering Drawing, and the information contained herein, is proprietary to Cole Hersee Company and may not be disclosed, re-produced, or in any other way transferred or communicated to any other party without the express written consent of an authorized representative of Cole Hersee Company.	Special Characteristics:		Cole Hersee Co. 20 Old Colony Ave., South Boston, MA, 02127 Phn: 617-268-2100 Web: www.colehersee.com
Rev.	Description of Change	ECN No.	Date				2-places +/- 0.02"	3-places +/- 0.005"		Angular +/- 1°	<input type="checkbox"/> Critical Characteristic, relating to Safety and/or Regulatory Compliance <input checked="" type="checkbox"/> Significant Characteristic relating to Process Control <input type="checkbox"/> Control Dimension relating to Form - Fit - Function as defined by Cole Hersee Company and/or the Customer	
AA	REVISED NOTES	08680	11/24/08									SWITCH, MASTER DISCONNECT
												2484-A
												AA

4

3



2

1