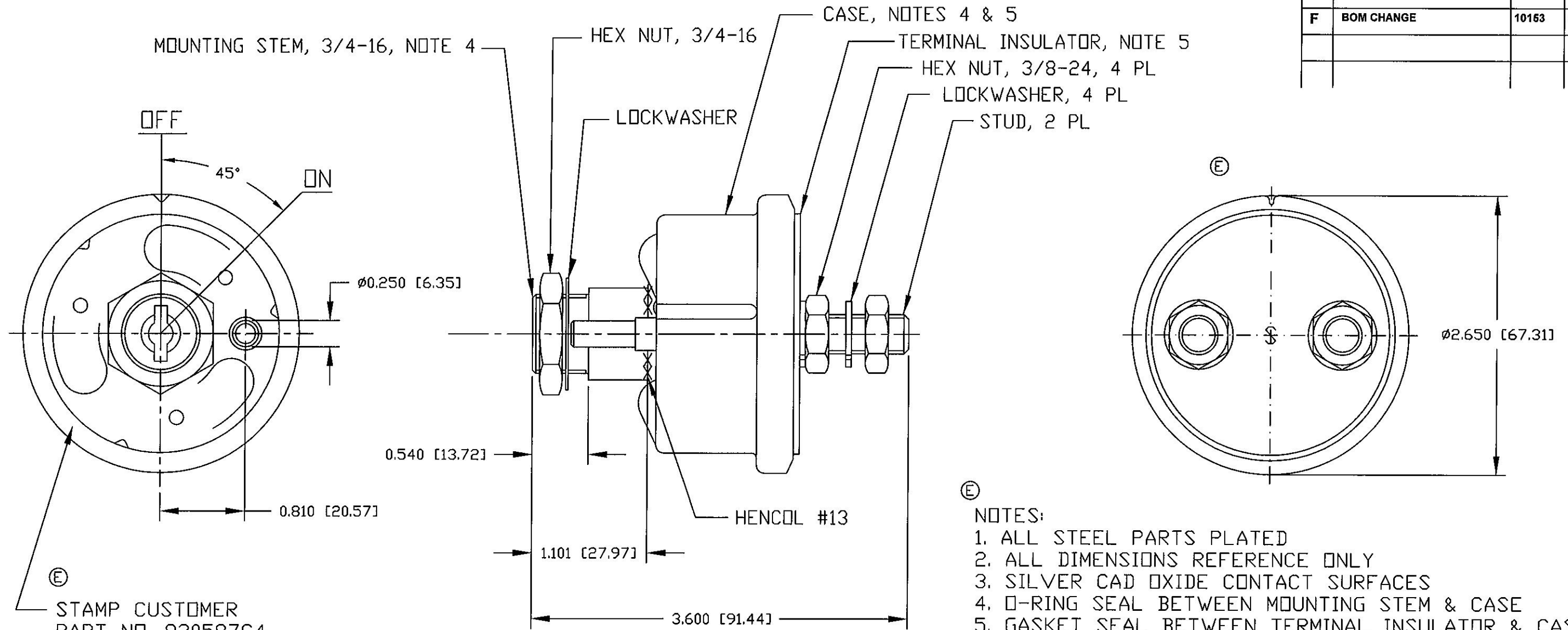


**Revision Control Record**

Rev.	Description of Change	ECN No.	Date
D	SPELLING CORRECTION	02119	3/19/02
E	NOTES	03016	1/16/03
F	BOM CHANGE	10153	4/29/10



- ⑤ NOTES:
1. ALL STEEL PARTS PLATED
  2. ALL DIMENSIONS REFERENCE ONLY
  3. SILVER CAD OXIDE CONTACT SURFACES
  4. O-RING SEAL BETWEEN MOUNTING STEM & CASE
  5. GASKET SEAL BETWEEN TERMINAL INSULATOR & CASE
  6. MAX FORCE TO TURN KEY FROM OFF TO ON  
1.4 N-m (12 INCH-POUNDS)
  - ⑥ 7. RATING:  
SWITCH MUST CARRY 1000 AMPS @ 6-36 VDC FOR 1000 CYCLES OF 15 SECONDS ON, 5 MINUTES OFF WITHOUT SIGNIFICANT DETERIORATION OF CONTACTS

**Tolerances** Unless otherwise specifically noted, the following are default tolerances:  
 \* 2-place Decimal Dimensions +/- .02"  
 \* 3-place Decimal Dimensions +/- .005"  
 \* Angular Dimensions +/- 1.0 Deg.  
 \* Metric: Refer to equivalent English Dimension Tolerance  
 >>> NOTE: All tolerances are Non-Cumulative. <<<

**Dimensional Units** All dimensions are expressed in inches except those shown in brackets (xxx) are expressed in millimeters

**"REF." or an Asterisk (\*)** = Non-Toleranced Reference Dimension, shown for clarification purposes only.

Used On or Ref.: **EX20608**      Scale: **1:1**

**PROPRIETARY INFORMATION** This Engineering Drawing, and the information contained herein, is proprietary to Cole Hersee Company and may not be disclosed, re-produced, or in any other way transferred or communicated to any other party without the express written consent of an authorized representative of Cole Hersee Company.

**DESIGN CONTROL** It is the responsibility of the individual using/referencing this drawing to assure that the noted design revision level agrees with the revision level of the Controlled Document (Master Drawing). This is a NON-CONTROLLED DOCUMENT unless otherwise specifically noted.

**DO NOT SCALE** - Dimensional variation may occur during printing/ reproduction.

Drawn By: **VAK**      Date Drawn: **2/21/86**

**Special Characteristics:**

Critical Characteristic, relating to Safety and/or Regulatory Compliance

Significant Characteristic relating to Process Control (SPC)

Control Dimension relating to Form - Fit - Function as defined by Cole Hersee Company and/or the Customer

(Note that the identification of any Characteristics as being "Special" does not alter the requirement that ALL specified dimensions & tolerances must be met.)

Responsible Engineer:      Pg. 1 of 1

**Cole Hersee Co.**  
 20 Old Colony Ave., South Boston, MA, 02127  
 Phn: 617-268-2100 Web: www.colehersee.com

**Description:** **SWITCH, MASTER DISCONNECT**

**Drawing / Part No.:** **2484-43**      **Current Rev.:** **F**