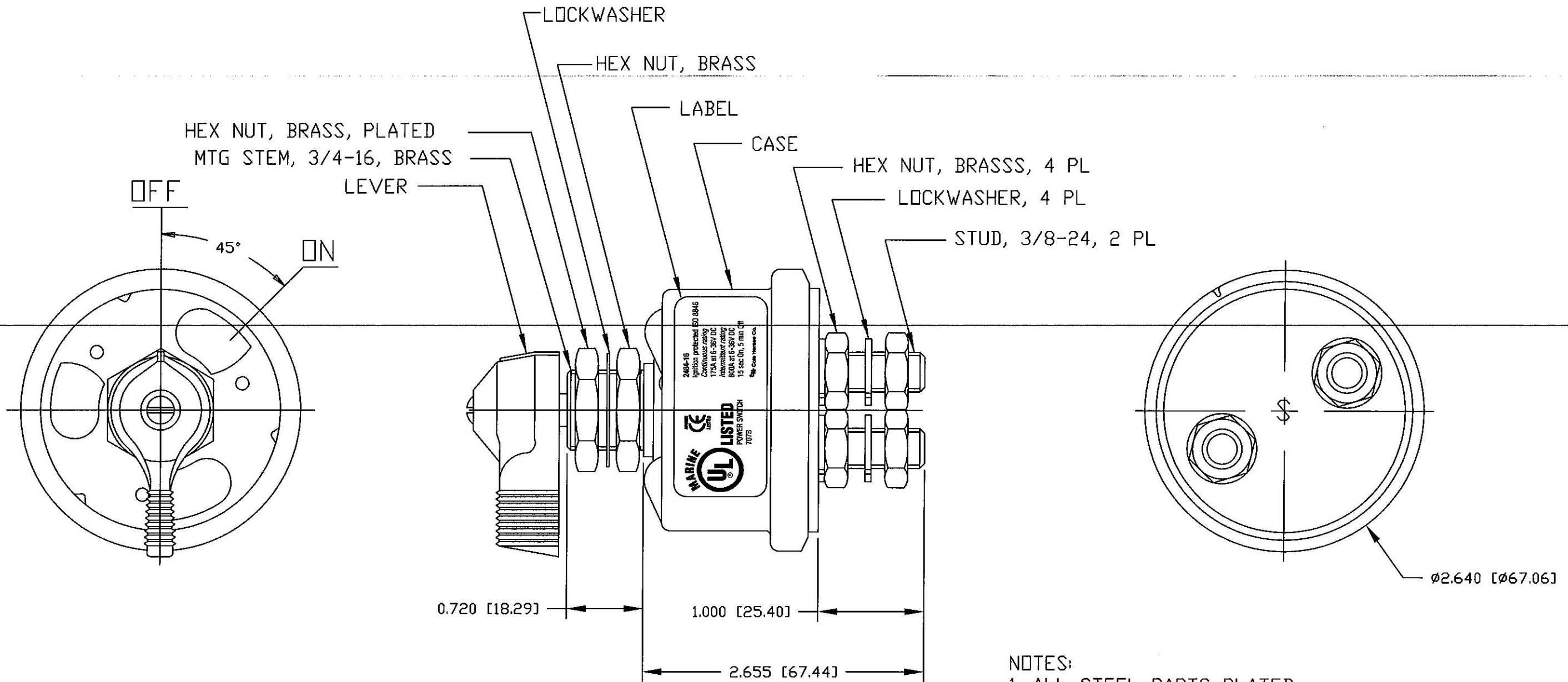


4

3

2

1



NOTES:
 1. ALL STEEL PARTS PLATED
 2. ALL DIMENSIONS REFERENCE ONLY
 3. SILVER CONTACT SURFACES
 4. RATING:
 CONTINUOUS-175 AMPS, 6-12-24-36 VDC
 INTERMITTENT-800 AMPS, 6-12-24-36 VDC
 15 SECONDS ON, 5 MINUTES OFF, IGNITION PROTECTED

METRIC

Revision Control Record				Rev.	Description of Change	ECN No.	Date	Tolerances	Special Characteristics:	Cole Hersee Co.		
Rev.	Description of Change	ECN No.	Date					Unless otherwise specifically noted, the following are default tolerances: 2-places +/- 0.02" 3-places +/- 0.005" Angular +/- 1° Metric: Shown in [] refers to equivalent English Dim Tol "REF." or an Asterisk (*) = Non-Toleranced Reference Dimension, shown for clarification purposes only. NOTE: All tolerances are Non-Cumulative.	<input checked="" type="checkbox"/> Critical Characteristic, relating to Safety and/or Regulatory Compliance <input checked="" type="checkbox"/> Significant Characteristic relating to Process Control <input checked="" type="checkbox"/> Control Dimension relating to Form - Fit - Function as defined by Cole Hersee Company and/or the Customer	20 Old Colony Ave., South Boston, MA, 02127 Phn: 617-268-2100 Web: www.colehersee.com Description: SWITCH, MASTER DISCONNECT		
H	UPDATED DRAWING FORMAT UPDATED LABEL	10016	01/13/10					FORM CHT-6 (2/07) Used On or Ref.: 2484-A WITH UL LABEL	Scale: 1:1 Drawn BY: JAV	Date Drawn: 02/08/79	Pg. 1 of 1	Current Rev. H

4

3

2

1