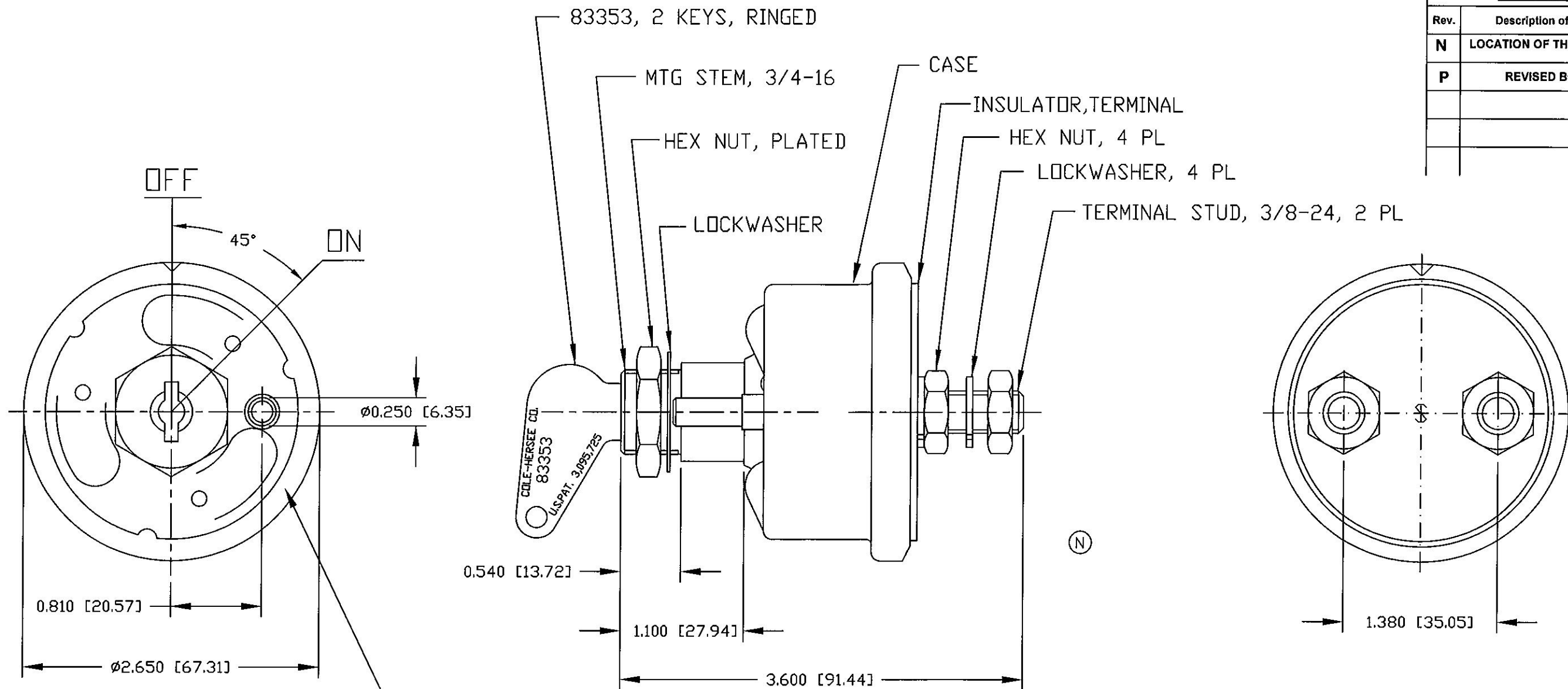


**Revision Control Record**

Rev.	Description of Change	ECN No.	Date
N	LOCATION OF THE STAMP	02167	4/03/02
P	REVISED BOM	10143	4/29/10



(N) STAMP PART NO. AND DATE CODE AT RANDOM LOCATIONS

- NOTES:
1. ALL STEEL PARTS PLATED
  2. ALL DIMENSIONS REFERENCE ONLY
  3. SILVER CONTACT SURFACES
  4. O-RING SEAL AT BUSHING
  5. RATING:  
CONTINUOUS-175 AMPS @ 6-12-24-36 VDC  
INTERMITTENT-1000 AMPS @ 6-12-24-36 VDC  
15 SECONDS ON, 5 MINUTES OFF, FOR 1000 CYCLES

**Tolerances** Unless otherwise specifically noted, the following are default tolerances:  
 \* 2-place Decimal Dimensions +/- .02"  
 \* 3-place Decimal Dimensions +/- .005"  
 \* Angular Dimensions +/- 1.0 Deg.  
 \* Metric: Refer to equivalent English Dimension Tolerance  
 >>> NOTE: All tolerances are Non-Cumulative. <<<

**Dimensional Units** All dimensions are expressed in inches except those shown in brackets (xxx) are expressed in millimeters

"REF." or an Asterisk (\*) = Non-Toleranced Reference Dimension, shown for clarification purposes only.

Used On 2484-A EXCEPT NEW BUSHING, or Ref.: SHAFT, PIN AND O-RING

**PROPRIETARY INFORMATION** This Engineering Drawing, and the information contained herein, is proprietary to Cole Hersee Company and may not be disclosed, re-produced, or in any other way transferred or communicated to any other party without the express written consent of an authorized representative of Cole Hersee Company.

**DESIGN CONTROL** It is the responsibility of the individual using / referencing this drawing to assure that the noted design revision level agrees with the revision level of the Controlled Document (Master Drawing). This is a NON-CONTROLLED DOCUMENT unless otherwise specifically noted.

DO NOT SCALE - Dimensional variation may occur during printing / reproduction.

Scale: 1:1  
 Drawn By: EA  
 Date Drawn: 4/28/70

**Key for Special Characteristics:**

- ◇ Critical Characteristic, relating to Safety and/or Regulatory Compliance
- X Significant Characteristic relating to Process Control (SPC)
- Ⓢ Control Dimension relating to Form - Fit - Function as defined by Cole Hersee Company and/or the Customer

(Note that the identification of any Characteristics as being "Special" does not alter the requirement that ALL specified dimensions & tolerances must be met.)

Responsible Engineer: Pg. 1 of 1

**Cole Hersee Co.**  
 20 Old Colony Ave., South Boston, MA, 02127  
 Phn: 617-268-2100 Web: www.colehersee.com

**Description:** SWITCH, MASTER DISCONNECT

**Drawing / Part No.:** 2484-03

**Current Rev.:** P