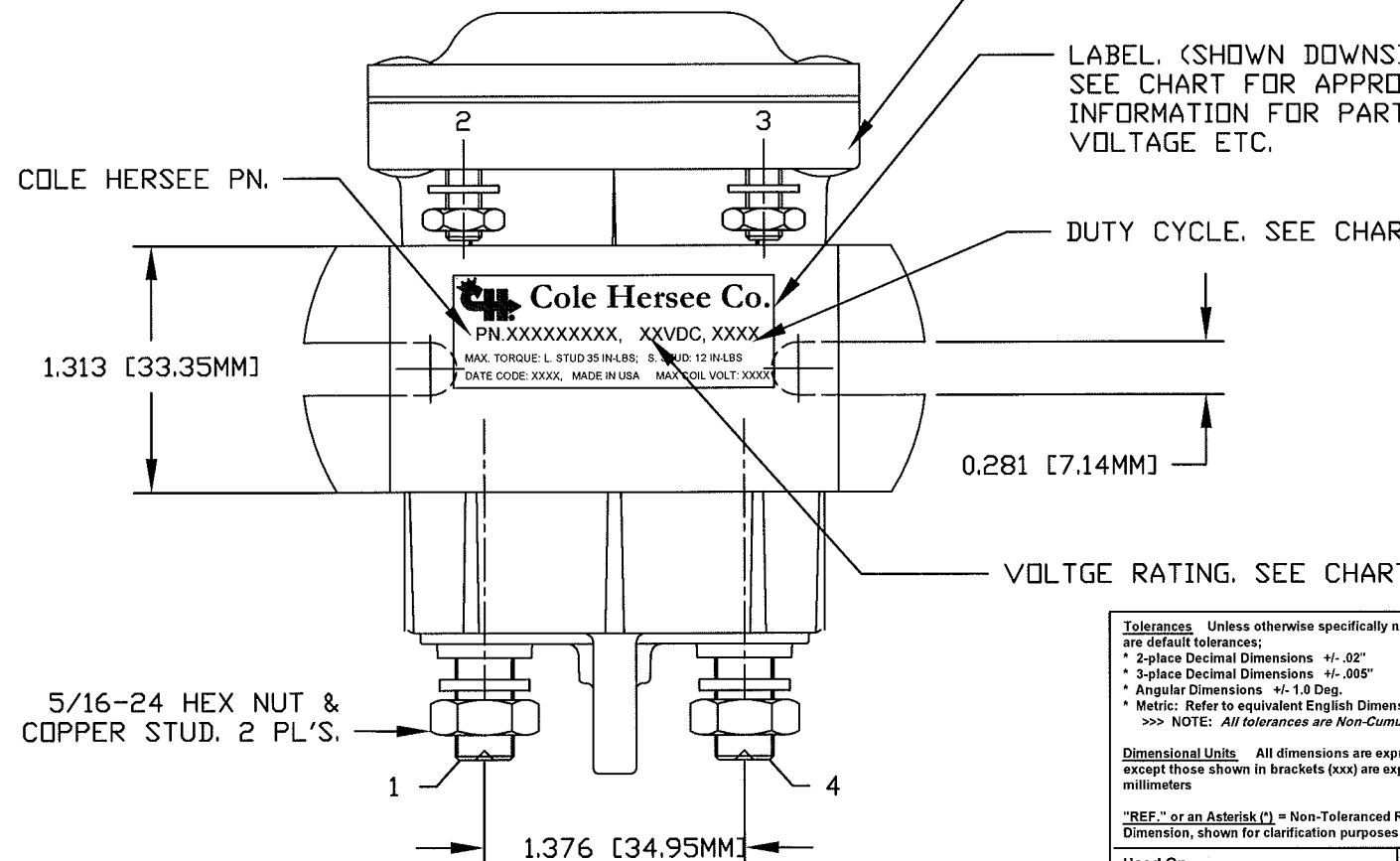
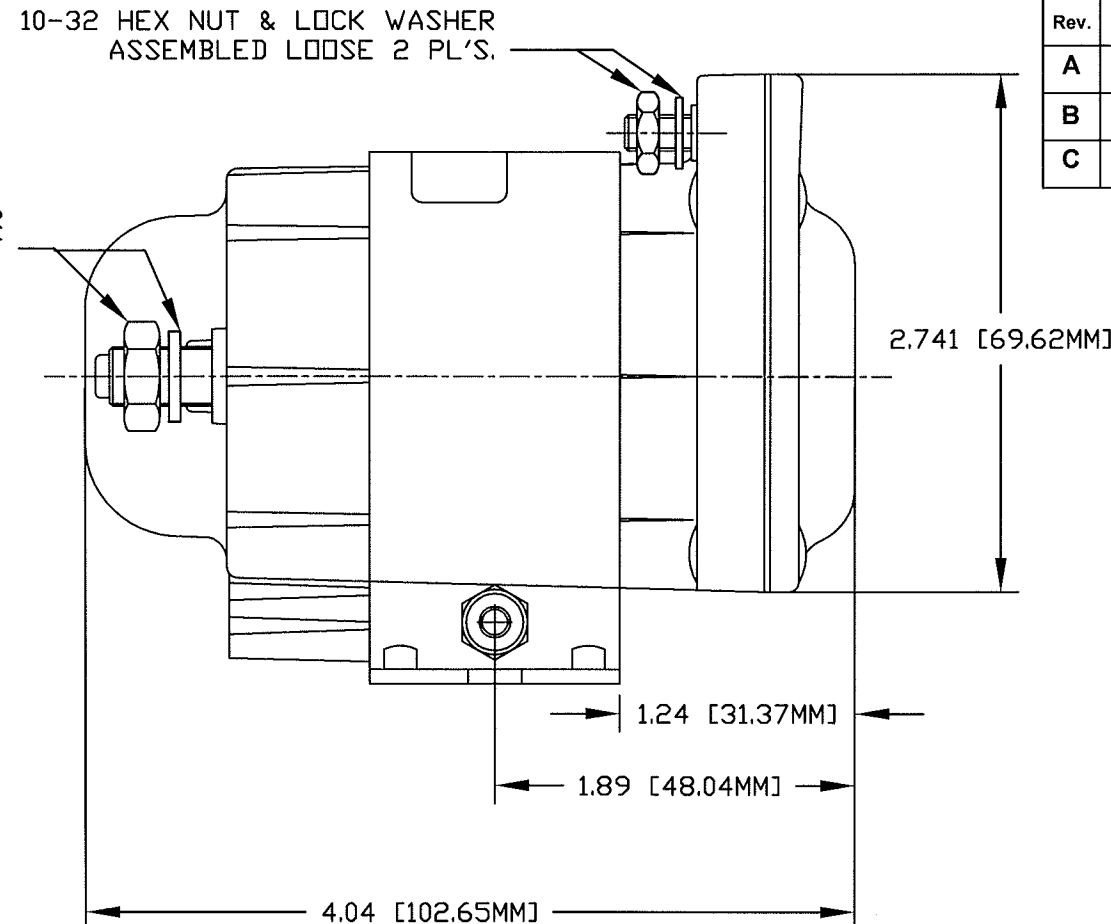
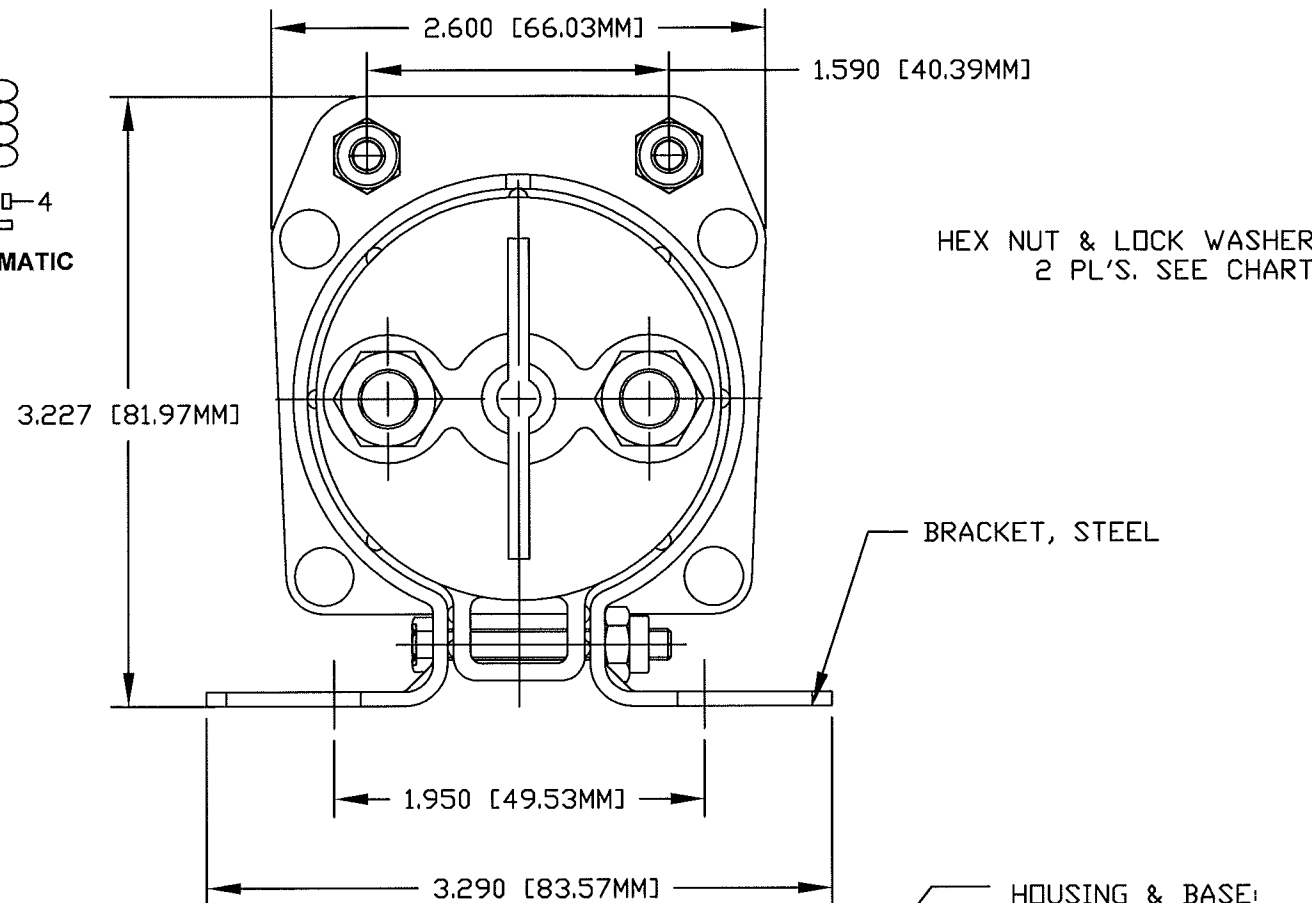
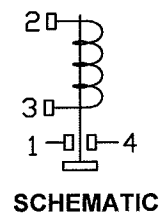


Revision Control Record

Rev.	Description of Change	ECN No.	Date
A	NEW PART- INITIAL RELEASE	03443	10/10/03
B	REMOVE PART LISTING	09313	06/02/09
C	ADDITIONAL PARTS DELISTED	13193	08/21/13



LABEL. (SHOWN DOWNSIDE UP FOR EASE OF READING.)
SEE CHART FOR APPROPRIATE INFORMATION FOR PART#, VOLTAGE ETC.

- NOTES:**
1. ALL DIMENSIONS ARE REFERENCE.
 2. ALL STEEL PARTS PLATED. HOUSING MATERIAL: NYLON, GLASS REINFORCED. MOISTURE RESISTANT.
 3. CONTACT MATERIAL: SEE CHART.
 4. COIL RESISTANCE AT 12 TO 48VDC, 25°C: SEE CHART.
 5. CONTACT CURRENT CARRYING CAPACITY. INTERM DUTY: 300 AMPS, 12-48VDC. CONT. DUTY: 225 AMPS. INTERMITTENT DUTY INRUSH: 600 AMPS, CONTINUOUS DUTY INRUSH: 600 AMPS. INTERMITTENT DUTY ON AND OFF TIME: 20 SECONDS ON; 5 MINUTES OFF. MAX. ON TIME 10 MINUTES. LIFE CYCLE @12 TO 48VDC, 25°C: SEE CHART.
 6. BRACKET: INDIVIDUAL SOLENOID COMES WITH "L" BRACKET. CONTACT FACTORY FOR OTHER STYLE.
 7. HARDWARE: ALL HARDWARE COME ASSEMBLED.
 8. OPERATING TEMPERATURE: -40°C TO 59°C. (-40°F TO 159°F)
 9. ENVIRONMENTAL RATING: IP66

Tolerances Unless otherwise specifically noted, the following are default tolerances:
 * 2-place Decimal Dimensions +/- .02"
 * 3-place Decimal Dimensions +/- .005"
 * Angular Dimensions +/- 1.0 Deg.
 * Metric: Refer to equivalent English Dimension Tolerance
 >>> NOTE: All tolerances are Non-Cumulative. <<<

Dimensional Units All dimensions are expressed in inches except those shown in brackets (xxx) are expressed in millimeters

"REF." or an Asterisk (*) = Non-Toleranced Reference Dimension, shown for clarification purposes only.

Used On or Ref.: EX27922-J REV.X2 Scale: **1:1**

PROPRIETARY INFORMATION This Engineering Drawing, and the information contained herein, is proprietary to Cole Hersee Company and may not be disclosed, re-produced, or in any other way transferred or communicated to any other party without the express written consent of an authorized representative of Cole Hersee Company.

DESIGN CONTROL It is the responsibility of the individual using / referencing this drawing to assure that the noted design revision level agrees with the revision level of the Controlled Document (Master Drawing). This is a NON-CONTROLLED DOCUMENT unless otherwise specifically noted.

DO NOT SCALE - Dimensional variation may occur during printing / reproduction.

Drawn By: G. AUGUSTE Date Drawn: 05/15/03

Special Characteristics:

- Critical Characteristic, relating to Safety and/or Regulatory Compliance
- Significant Characteristic relating to Process Control (SPC)
- Key Characteristic relating to Form - Fit - Function as defined by Cole Hersee Company and/or the Customer

(Note that the identification of any Characteristics as being "Special" does not alter the requirement that ALL specified dimensions & tolerances must be met.)

Responsible Engineer: G. AUGUSTE Pg. 1 OF 2

Cole Hersee Co.
 20 Old Colony Ave., South Boston, MA, 02127
 Phn: 617-268-2100 Web: www.colehersee.com

Description:
SOLENOID, 12-48V, SPST, N.O.

Drawing / Part No.: **24800 SERIES CHART** Current Rev. **C**

