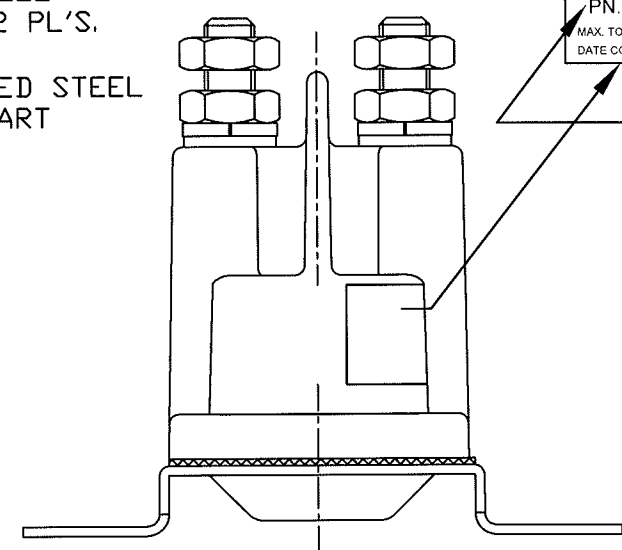
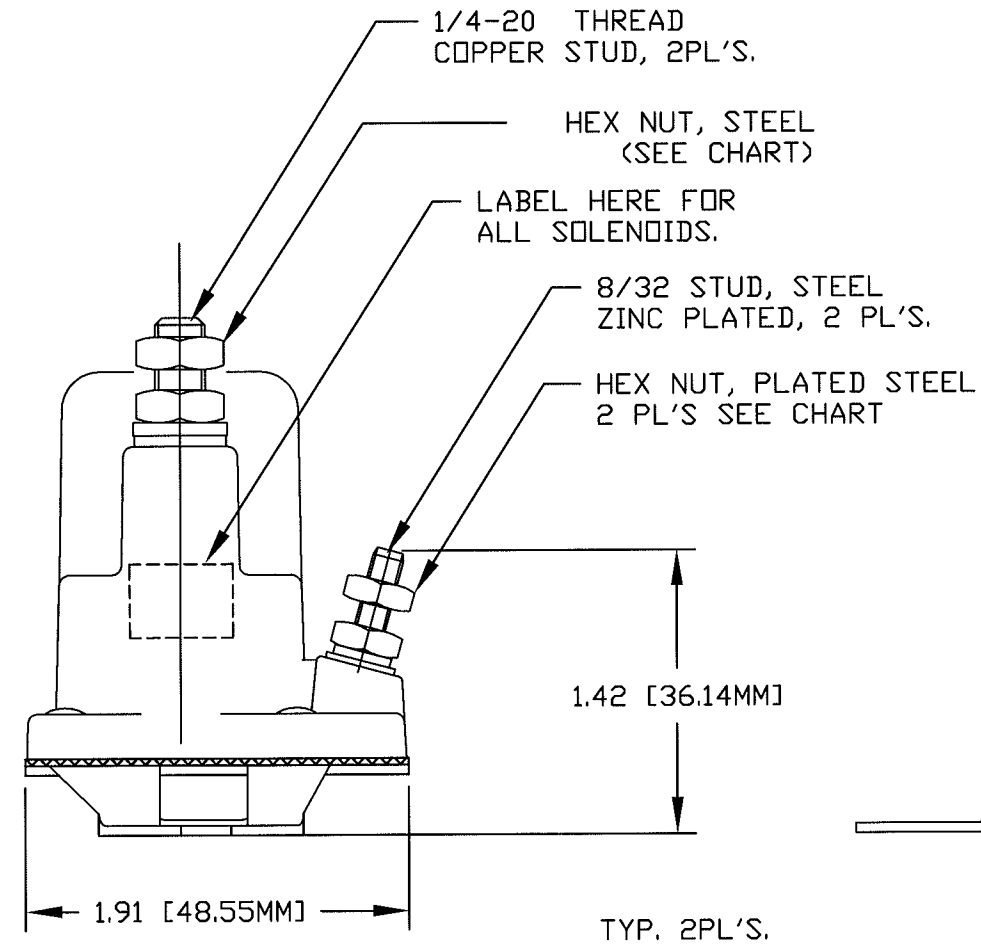
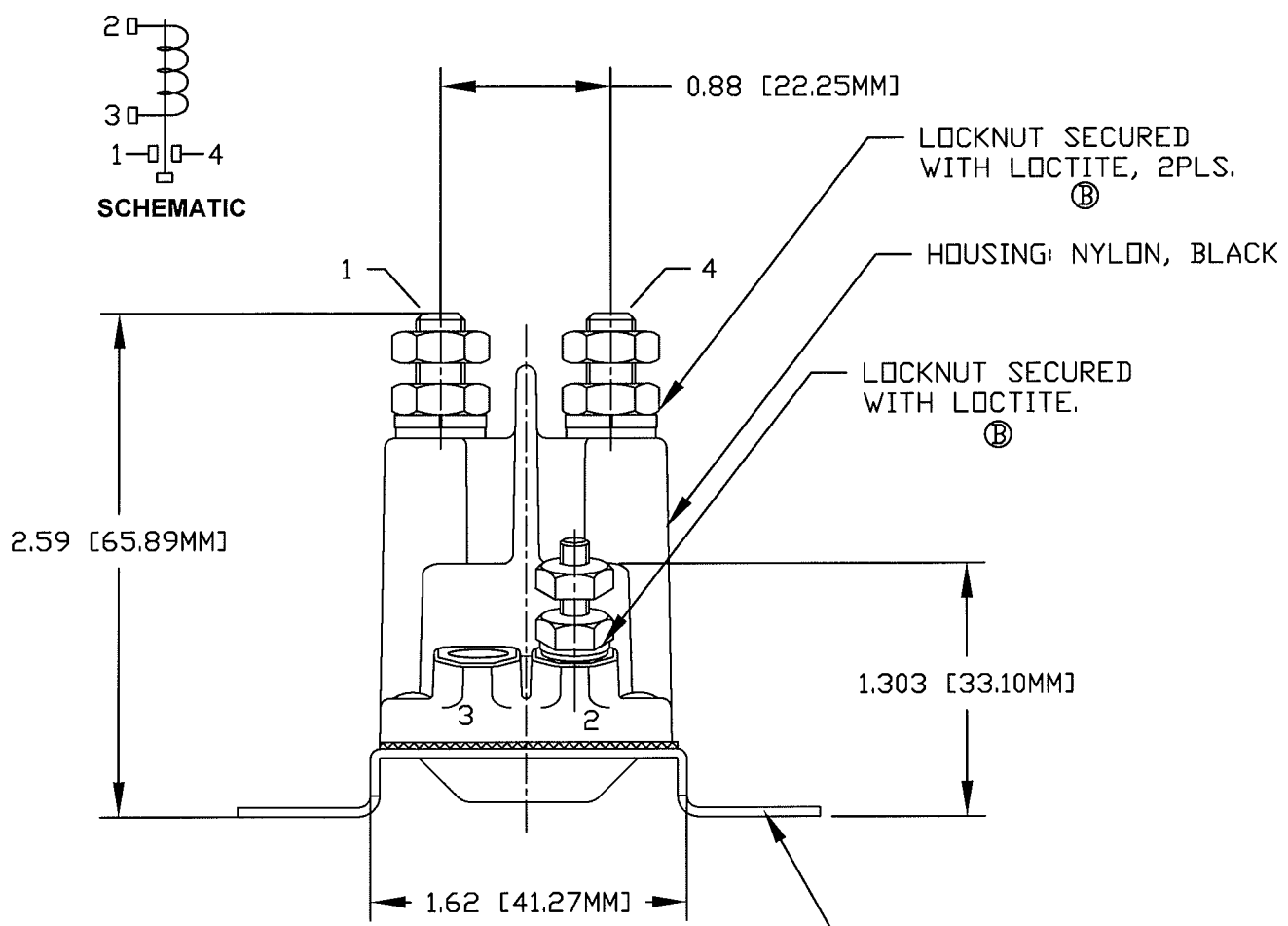
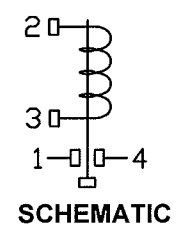


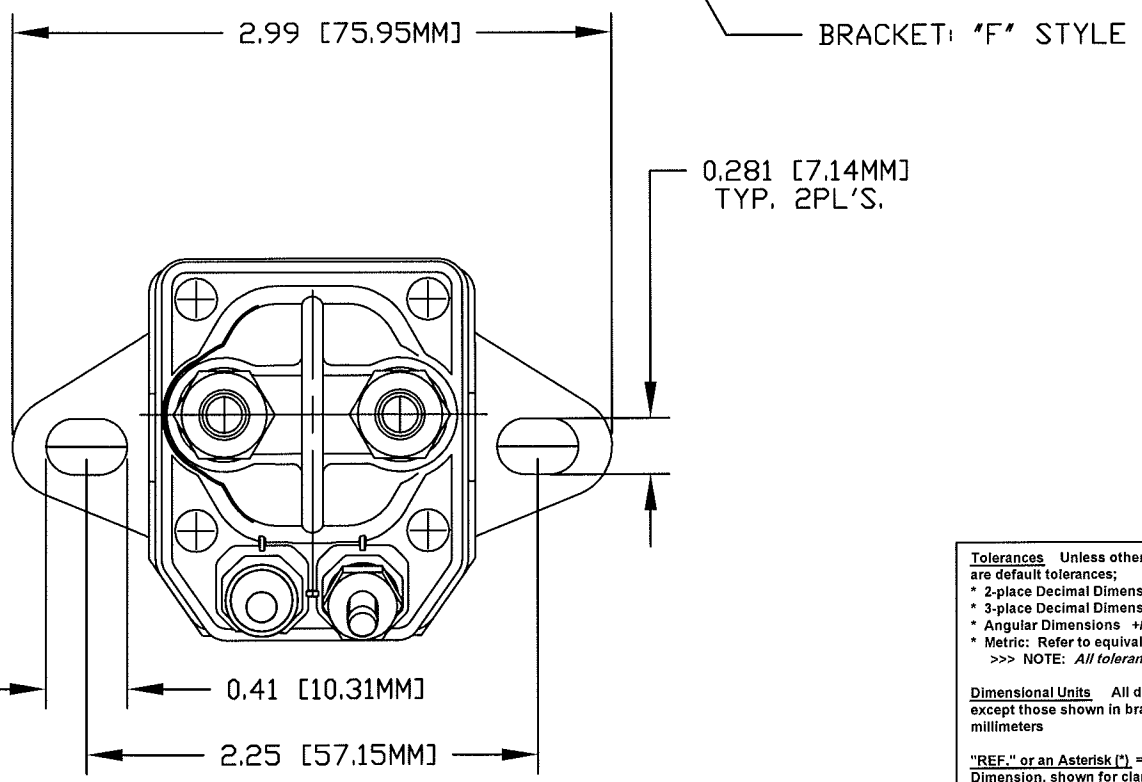
Revision Control Record

| Rev. | Description of Change | ECN No. | Date |
|------|--|---------|----------|
| A | NEW PART | 03443 | 10/10/03 |
| B | REMOVE PARTS FROM CHART; HARDWARE ASSBLD | 13191 | 8/10/13 |



Cole Hersee Co.
 PN: 24712-GS7, 12VDC, INTERM
 MAX. TORQUE: L. STUD 35 IN-LBS, S. STUD: 12 IN-LBS
 DATE CODE: XXXX MAX COIL VOLT: 14VDC

CH PART #.
 DUTY CYCLE



NOTES:

1. ALL DIMENSIONS ARE REFERENCE.
2. ALL STEEL PARTS ZINC PLATED. HOUSING MATERIAL: NYLON, GLASS REINFORCED.
3. CONTACT MATERIAL: COPPER.
4. COIL RESISTANCE AT 12VDC, 25°C: 2.5 OHMS. INTERM DUTY. INRUSH: 500 AMPS. INTERMITTENT DUTY ON AND OFF TIME: 5 SECONDS ON; 5 MINUTES OFF. INTERMITTENT DUTY MAX. ON TIME 20 SECONDS. LIFE CYCLE @12VDC; 10K CYCLES MIN.
5. BRACKET: STEEL, ZINC PLATED
- (B) 6. HARDWARE: ALL HARDWARE COMES ASSEMBLED.
7. OPERATING TEMPERATURE: -40°C TO 59°C. (-40 TO 140°F)
8. ENVIRONMENTAL RATING: IP66
9. HARDWARE TORQUE FOR CABLE ASSEMBLY: 35 IN-LBS MAX 5/16 NUTS; 12 IN-LBS MAX FOR 10/32 NUTS.

Tolerances Unless otherwise specifically noted, the following are default tolerances:
 * 2-place Decimal Dimensions +/- .02"
 * 3-place Decimal Dimensions +/- .005"
 * Angular Dimensions +/- 1.0 Deg.
 * Metric: Refer to equivalent English Dimension Tolerance
 >>> NOTE: All tolerances are Non-Cumulative. <<<

Dimensional Units All dimensions are expressed in inches except those shown in brackets (xxx) are expressed in millimeters

"REF." or an Asterisk (*) = Non-Toleranced Reference Dimension, shown for clarification purposes only.

Used On or Ref.: EX27922-H12 Scale: 1:1

PROPRIETARY INFORMATION This Engineering Drawing, and the information contained herein, is proprietary to Cole Hersee Company and may not be disclosed, re-produced, or in any other way transferred or communicated to any other party without the express written consent of an authorized representative of Cole Hersee Company.

DESIGN CONTROL It is the responsibility of the individual using / referencing this drawing to assure that the noted design revision level agrees with the revision level of the Controlled Document (Master Drawing). This is a NON-CONTROLLED DOCUMENT unless otherwise specifically noted.

DO NOT SCALE - Dimensional variation may occur during printing / reproduction.

Drawn By: G. AUGUSTE Date Drawn: 05/02/03

Special Characteristics:

- Critical Characteristic, relating to Safety and/or Regulatory Compliance
- Significant Characteristic relating to Process Control (SPC)
- Key Characteristic relating to Form - Fit - Function as defined by Cole Hersee Company and/or the Customer

(Note that the identification of any Characteristics as being "Special" does not alter the requirement that ALL specified dimensions & tolerances must be met.)

Responsible Engineer: G. AUGUSTE Pg. 1 OF 2

Cole Hersee Co.
 20 Old Colony Ave., South Boston, MA, 02127
 Phn: 617-268-2100 Web: www.colehersee.com

Description:
SOLENOID, 12V, SPST, N.O

Drawing / Part No.: **24712-GS7** Current Rev. **B**