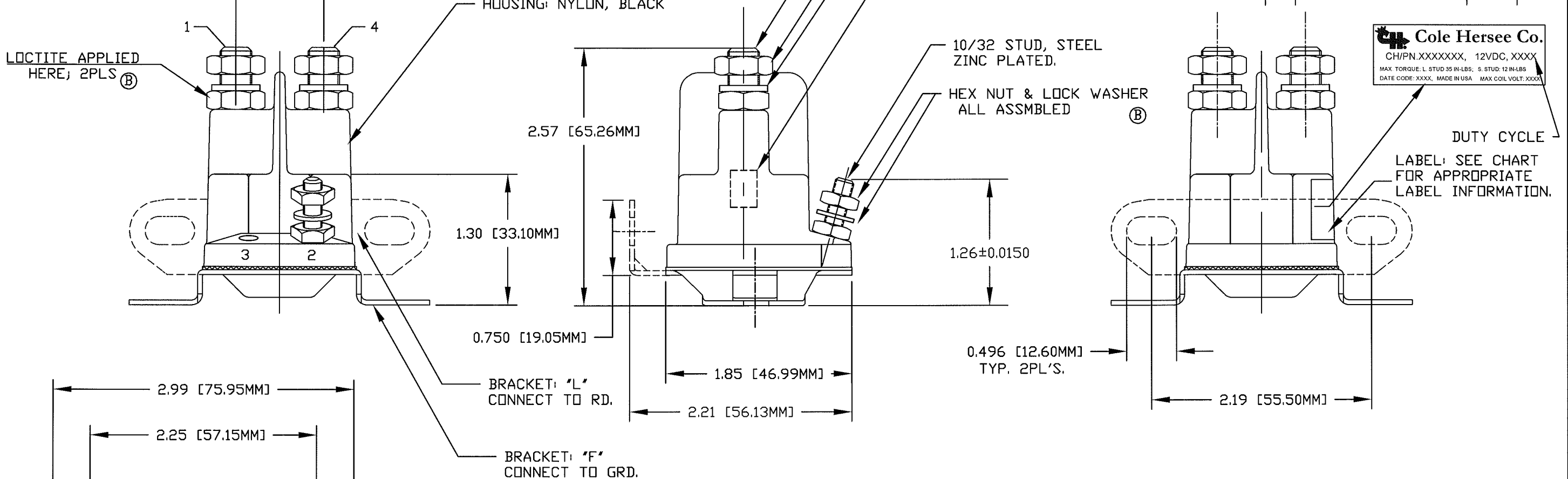
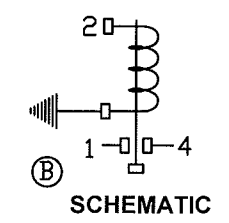


Revision Control Record

Rev.	Description of Change	ECN No.	Date
A	NEW PART	03443	10/09/03
B	ALL HARDWARE ASSBLD; PN'S DROPPED FROM CHART	13198	08/18/13



Cole Hersee Co.
CH/PN.XXXXXXX, 12VDC, XXXX
MAX TORQUE: L. STUD 35 IN-LBS; S. STUD: 12 IN-LBS
DATE CODE: XXXX, MADE IN USA MAX COIL VOLT: XXXX

DUTY CYCLE
LABEL: SEE CHART FOR APPROPRIATE LABEL INFORMATION.

- NOTES:
1. ALL DIMENSIONS ARE REFERENCE.
 2. ALL STEEL PARTS ZINC PLATED. HOUSING MATERIAL: NYLON, GLASS REINFORCED.
 3. CONTACT MATERIAL: SEE CHART.
 4. INTERMITTENT & CONT DUTY COIL RESISTANCE @ 12VDC, 25°C: SEE CHART
 5. CONTACT CURRENT CARRYING CAPACITY, INTERM DUTY: 200 AMPS; CONT. DUTY: 100 AMPS. (SILVER CONTACT) INTERMITTENT DUTY INRUSH: 300 AMPS, CONTINUOUS DUTY INRUSH: 400 AMPS. INTERMITTENT DUTY ON AND OFF TIME: 5 SECONDS ON; 5 MINUTES OFF, MAX. ON TIME: 20 SECONDS.
 6. LIFE CYCLE @12VDC, 25°C: 10K CYCLES. CONTINUOUS DUTY: 50K CYCLES (SILVER CONTACT)
 7. BRACKET: INDIVIDUAL SOLENOID COMES WITH EITHER 'F' OR 'L' METAL BRACKET. SEE CHART.
 - (B) 8. HARDWARE: ALL HARDWARE IS ASSEMBLED.
 9. OPERATING TEMPERATURE: -40°C TO 59°C. (-40 TO 140°F)
 10. FOR EXCEPTION TO ABOVE: SEE CHART "ADDITIONAL NOTES" WHERE APPLICABLE.

Tolerances Unless otherwise specifically noted, the following are default tolerances:
 * 2-place Decimal Dimensions +/- .02"
 * 3-place Decimal Dimensions +/- .005"
 * Angular Dimensions +/- 1.0 Deg.
 * Metric: Refer to equivalent English Dimension Tolerance
 >>> NOTE: All tolerances are Non-Cumulative, <<<

Dimensional Units All dimensions are expressed in inches except those shown in brackets (xxx) are expressed in millimeters

"REF." or an Asterisk (*) = Non-Toleranced Reference Dimension, shown for clarification purposes only.

PROPRIETARY INFORMATION This Engineering Drawing, and the information contained herein, is proprietary to Cole Hersee Company and may not be disclosed, re-produced, or in any other way transferred or communicated to any other party without the express written consent of an authorized representative of Cole Hersee Company.

DESIGN CONTROL It is the responsibility of the individual using / referencing this drawing to assure that the noted design revision level agrees with the revision level of the Controlled Document (Master Drawing). This is a NON-CONTROLLED DOCUMENT unless otherwise specifically noted.

DO NOT SCALE - Dimensional variation may occur during printing / reproduction.

Special Characteristics:

- CC Critical Characteristic, relating to Safety and/or Regulatory Compliance
- X Significant Characteristic relating to Process Control (SPC)
- KC Key Characteristic relating to Form - Fit - Function as defined by Cole Hersee Company and/or the Customer

(Note that the identification of any Characteristics as being "Special" does not alter the requirement that ALL specified dimensions & tolerances must be met.)

Cole Hersee Co.
20 Old Colony Ave., South Boston, MA, 02127
Phn: 617-268-2100 Web: www.colehersee.com

Description:
SOLENOID, 12V, SPST, N.O

Drawing / Part No.: **24612-G, CHART**

Current Rev.: **B**

Used On or Ref.: EX27922-B12 Scale: 1:1 Drawn By: G. AUGUSTE Date Drawn: 05/02/03 Responsible Engineer: G. AUGUSTE Pg. 1 OF 2

