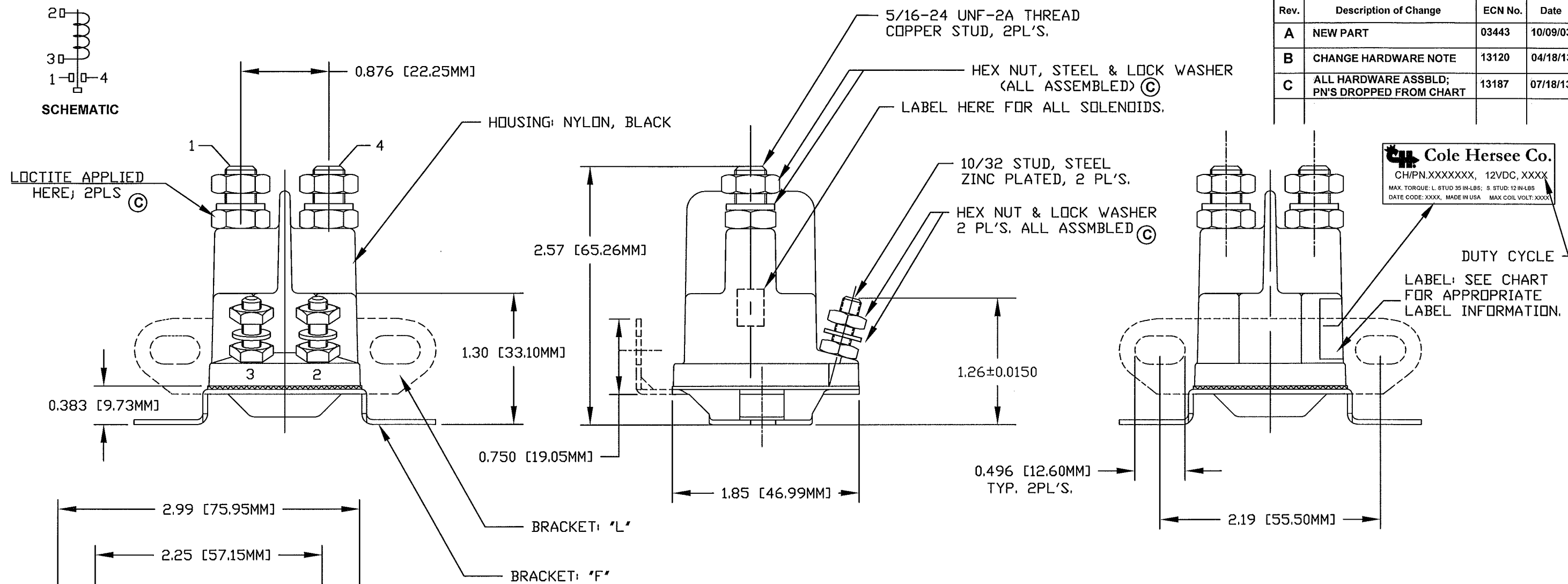


**Revision Control Record**

Rev.	Description of Change	ECN No.	Date
A	NEW PART	03443	10/09/03
B	CHANGE HARDWARE NOTE	13120	04/18/13
C	ALL HARDWARE ASSBLD; PN'S DROPPED FROM CHART	13187	07/18/13



- NOTES:**
- ALL DIMENSIONS ARE REFERENCE.
  - ALL STEEL PARTS ZINC PLATED. HOUSING MATERIAL: NYLON, GLASS REINFORCED.
  - CONTACT MATERIAL: SEE CHART.
  - INTERMITTENT & CONT DUTY COIL RESISTANCE @ 12VDC, 25°C: SEE CHART
  - CONTACT CURRENT CARRYING CAPACITY, INTERM DUTY: 200 AMPS; CONT. DUTY: 100 AMPS. (SILVER CONTACT) INTERMITTENT DUTY INRUSH: 300 AMPS, CONTINUOUS DUTY INRUSH: 400 AMPS. INTERMITTENT DUTY ON AND OFF TIME: 5 SECONDS ON; 5 MINUTES OFF. MAX. ON TIME: 20 SECONDS.
  - LIFE CYCLE @12VDC, 25°C: 10K CYCLES. CONTINUOUS DUTY: 50K CYCLES (SILVER CONTACT)
  - BRACKET: INDIVIDUAL SOLENOID COMES WITH EITHER "F" OR "L" METAL BRACKET. SEE CHART.
  - (C) HARDWARE: ALL HARDWARE IS ASSEMBLED.
  - OPERATING TEMPERATURE: -40°C TO 59°C, (-40 TO 140°F)
  - FOR EXCEPTION TO ABOVE: SEE CHART "ADDITIONAL NOTES" WHERE APPLICABLE.

**Tolerances** Unless otherwise specifically noted, the following are default tolerances:  
 \* 2-place Decimal Dimensions +/- .02"  
 \* 3-place Decimal Dimensions +/- .005"  
 \* Angular Dimensions +/- 1.0 Deg.  
 \* Metric: Refer to equivalent English Dimension Tolerance  
 >>> NOTE: All tolerances are Non-Cumulative. <<<

**Dimensional Units** All dimensions are expressed in inches except those shown in brackets (xxx) are expressed in millimeters

"REF." or an Asterisk (\*) = Non-Toleranced Reference Dimension, shown for clarification purposes only.

Used On or Ref.: EX27922-B12 Scale: 1:1

**PROPRIETARY INFORMATION** This Engineering Drawing, and the information contained herein, is proprietary to Cole Hersee Company and may not be disclosed, re-produced, or in any other way transferred or communicated to any other party without the express written consent of an authorized representative of Cole Hersee Company.

**DESIGN CONTROL** It is the responsibility of the individual using / referencing this drawing to assure that the noted design revision level agrees with the revision level of the Controlled Document (Master Drawing). This is a NON-CONTROLLED DOCUMENT unless otherwise specifically noted.

DO NOT SCALE - Dimensional variation may occur during printing / reproduction.

Drawn By: G. AUGUSTE Date Drawn: 05/02/03

**Special Characteristics:**

- CC Critical Characteristic, relating to Safety and/or Regulatory Compliance
- X Significant Characteristic relating to Process Control (SPC)
- KC Key Characteristic relating to Form - Fit - Function as defined by Cole Hersee Company and/or the Customer

(Note that the Identification of any Characteristics as being "Special" does not alter the requirement that ALL specified dimensions & tolerances must be met.)


Responsible Engineer: G. AUGUSTE Pg. 1 OF 2

**Cole Hersee Co.**  
 20 Old Colony Ave., South Boston, MA, 02127  
 Phn: 617-268-2100 Web: www.colehersee.com

Description:  
**SOLENOID, 12V, SPST, N.O**

Drawing / Part No.: **24612-CHART** Current Rev. **C**

24612-13	12	3.8	INTERMITTENT	14	8.5	COPPER	F	ASSEMBLED ©			IP6X	
©												
©												
©												
24612-10	12	18.6	CONTINUOUS	14	7.5	SILVER	F	ASSEMBLED ⓑ			IP6X	
©												
©												
©												
©												
©												
©												
24612-03	12	3.8	INTERMITTENT	14	8.5	COPPER	L	ASSEMBLED ©			IP6X	
©												
©												
©												
©												
24612	12	18.6	CONTINUOUS	14	7.5	SILVER	L	ASSEMBLED ©			IP6X	
PART NO	V DC	OHMS	DUTY CYCLE	MAX VOLT.	PULL-IN VOLT.	CONTACT MATERIAL	BRACKET STYLE	HARDWARE NOTE 7			MOISTURE PROTECTION	ADDITIONAL NOTES
	COIL RATINGS											

<b>Revision Control Record</b>				<b>Revision Control Record</b>				<b>Tolerances</b> Unless otherwise specifically noted, the following are default tolerances: * 2-place Decimal Dimensions +/- .02" * 3-place Decimal Dimensions +/- .005" * Angular Dimensions +/- 1.0 Deg. * Metric: Refer to equivalent English Dimension Tolerance >>> NOTE: All tolerances are Non-Cumulative. <<<		<b>PROPRIETARY INFORMATION</b> This Engineering Drawing, and the information contained herein, is proprietary to Cole Hersee Company and may not be disclosed, re-produced, or in any other way transferred or communicated to any other party without the express written consent of an authorized representative of Cole Hersee Company.		<b>Special Characteristics:</b> <input type="checkbox"/> Critical Characteristic, relating to Safety and/or Regulatory Compliance <input checked="" type="checkbox"/> Significant Characteristic relating to Process Control (SPC) <input type="checkbox"/> Key Characteristic relating to Form - Fit - Function as defined by Cole Hersee Company and/or the Customer (Note that the identification of any Characteristics as being "Special" does not alter the requirement that ALL specified dimensions & tolerances must be met.)		 <b>Cole Hersee Co.</b> 20 Old Colony Ave., South Boston, MA, 02127 Phn: 617-268-2100 Web: www.colehersee.com					
Rev.	Description of Change	ECN No.	Date	Rev.	Description of Change	ECN No.	Date	<b>DESIGN CONTROL</b> It is the responsibility of the individual using / referencing this drawing to assure that the noted design revision level agrees with the revision level of the Controlled Document (Master Drawing). This is a NON-CONTROLLED DOCUMENT unless otherwise specifically noted.		<b>DO NOT SCALE</b> - Dimensional variation may occur during printing / reproduction.		<b>Description:</b> <b>SOLENOID, 12V, SPST, N.O</b>							
SEE PAGE 1 FOR REVISION NOTES								Used On or Ref.: EX27922-B12		Scale: 1:1		Drawn By: GA		Date Drawn: 5/2/03		Responsible Engineer: N/A		Pg. 2 OF 2	
											<b>Drawing / Part No.:</b> 24612-CHART		<b>Current Rev.:</b> SEE PAGE 1						