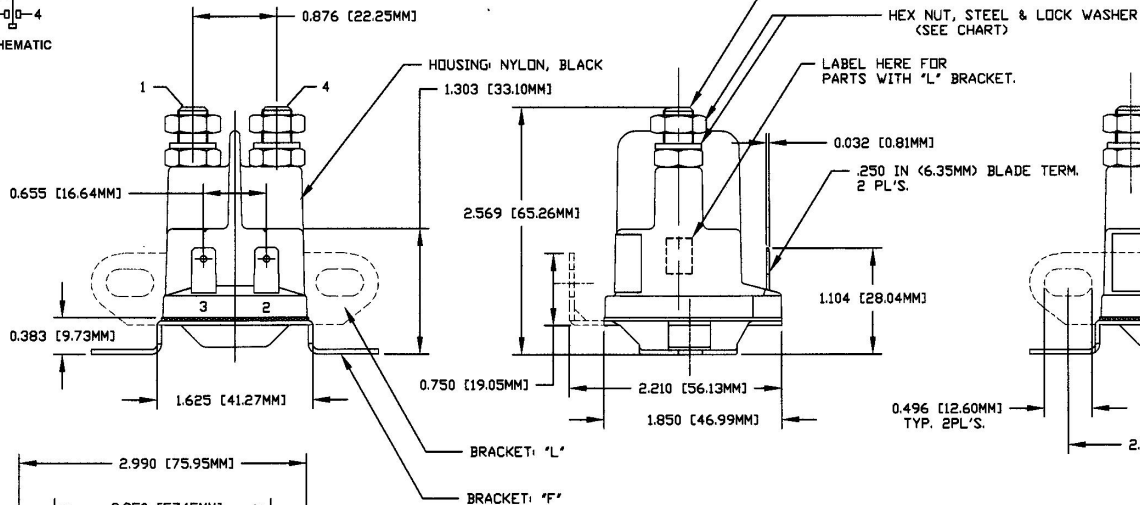
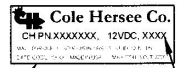




SCHEMATIC



Revision Control Record			
Rev.	Description of Change	ECN No.	Date
A	NEW PART	03443	10/08/03



DUTY CYCLE
 LABEL: SEE CHART FOR APPROPRIATE LABEL INFORMATION.

NOTES:

1. ALL DIMENSIONS ARE REFERENCE.
2. ALL STEEL PARTS ZINC PLATED. HOUSING MATERIAL: NYLON, GLASS REINFORCED.
3. CONTACT MATERIAL: SEE CHART.
4. CDIL RESISTANCE AT 12 VDC, 25°C INTERMITTENT DUTY SOL: SEE CHART; CONT. DUTY SOLENOID: SEE CHART.
5. CONTACT CURRENT CARRYING CAPACITY, INTERM DUTY: 200 AMPS; CONT. DUTY: 100 AMPS. (SILVER CONTACT) INTERMITTENT DUTY INRUSH: 300 AMPS, CONTINUOUS DUTY INRUSH: 400 AMPS. INTERMITTENT DUTY ON AND OFF TIME: 5 SECONDS ON, 5 MINUTES OFF, MAX. ON TIME: 20 SECONDS. LIFE CYCLE @12VDC, 25°C: 10K CYCLES, CONTINUOUS DUTY: 50K CYCLES (SILVER CONTACT)
6. BRACKET: INDIVIDUAL SOLENOID COMES WITH EITHER 'F' OR 'L' METAL BRACKET. SEE CHART.
7. HARDWARE: ALL HARDWARE COME LOOSE IN A BAG OR ASSEMBLED. SEE CHART FOR SELECTION.
8. OPERATING TEMPERATURE: -40°C TO 59°C. (-40 TO 140°F)
9. FOR EXCEPTION TO ABOVE: SEE CHART 'ADDITIONAL NOTES'.

Tolerances: Unless otherwise specifically noted, the following are default tolerances:
 • Surface Default Dimensioning: ±.02"
 • Surface Default Dimensioning: ±.004"
 • Angular Dimensioning: ±1.0 Deg.
 • Note: Refer to equivalent English Dimension Tolerances for "AS" All tolerances are Non-Cumulative, not

Dimensional Note: All dimensions are expressed in inches except those shown in brackets (xxx) are expressed in millimeters.
 "SEE" as an Abbreviation: Non-Toleranced Reference Dimension, shown for identification purposes only.

REGULATORY INFORMATION: This Engineering Drawing, and the information contained herein, is proprietary to Cole Hersee Company and may not be disclosed, reproduced, or in any other way transferred or communicated to any other party without the express written consent of an authorized representative of Cole Hersee Company.

DESIGN NOTE: It is the responsibility of the individual user/manufacturer to ensure that the stated design system and agrees with the relevant level of the Controlled Document (Manufacturing). This is a Non-Controlled Document unless otherwise specifically noted.

Use On or Ref: EXE27922-C12 Scale: 1:1 Drawn By: G. AUGUSTE Date Drawn: 08/02/03

Special Characteristics:
 Critical Characteristics, relating to Safety and/or Regulatory Compliance
 Significant Characteristics relating to Process Control (SPC)
 Key Characteristics relating to Form - Fit - Function as defined by Cole Hersee Company and/or the Customer
 (Note that the identification of any Characteristics as being "Special" does not alter the requirement that ALL specified dimensions & tolerances must be met.)
 Responsible Engineer: G. AUGUSTE Pg. 1 OF 2

Cole Hersee Co.
 20 Old Colony Ave., South Boston, MA, 02127
 Phone: 617-365-5100 Web: www.colesheecom.com

SOLENOID, 12V, SPST, N.O

Drawn Part No.: **24512-CHART** Current Rev.: **A**