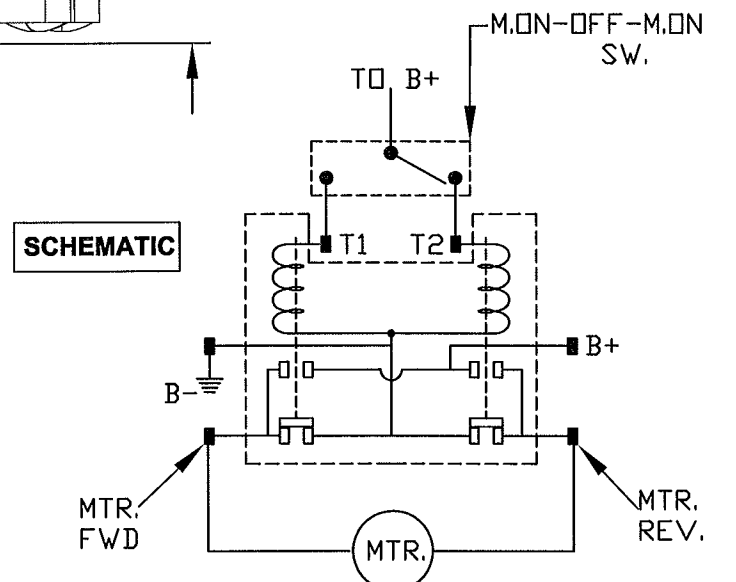
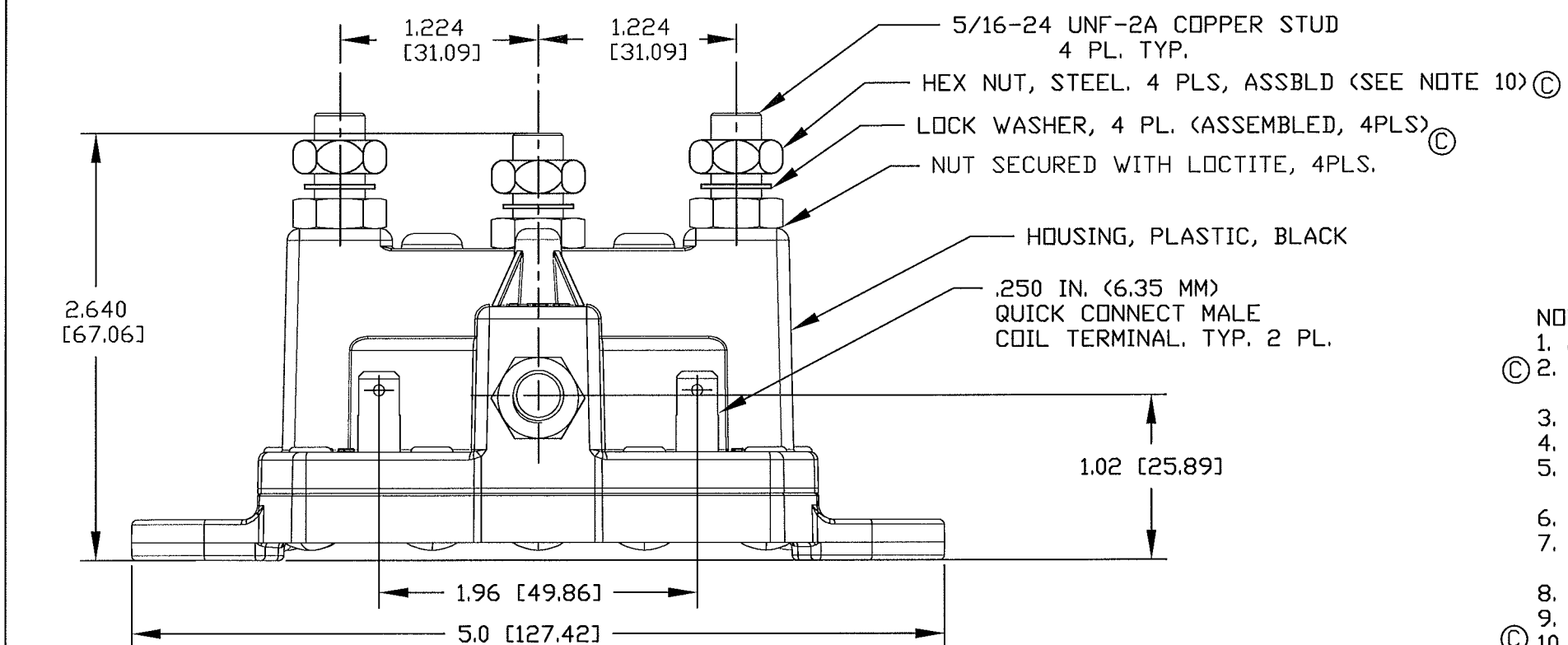


P.N	VOLTAGE	HARDWARE
24450	12VDC	ASSEMBLED
Ⓢ		
Ⓢ		
24450-02	24VDC	ASSEMBLED
Ⓢ		
Ⓢ		

**Cole Hersee Co.**  
 Boston, USA  
 PN:XXXXXXXX XXVDC, INT.  
 MAX. TORQUE: L. STUD 35 IN-LBS.  
 DATE CODE: XXXX MAX TIME ON: XX MIN.



- NOTES:
- ALL DIMENSIONS ARE REFERENCE.
  - Ⓢ SOLENOID IS RESISTANT TO DUST, WATER SPLASH, OIL, ANTI-FREEZE AND BRAKE FLUID EQUIV. TO IP6X.
  - HOUSING MATERIAL: NYLON, GLASS REINFORCED.
  - ELECTRICAL RATING: MAKE & BREAK 75AMPS.
  - MAX.DUTY CYCLE: 5 MIN. ON - 5 MIN. OFF @75AMPS/12V, 25°C. 125A/12V FOR 30 SECS. MAX ON TIME; 150A/12V FOR .5 SECS. MAX. ON TIME.
  - CONTACT LIFE CYCLE RATING: 10,000 CYCLES @ 75AMPS, INDUCTIVE.
  - SOLENOID IS DESIGNED TO BE ACTIVATED ONLY WITH A MOMENTARY SWITCH SIMILAR TO CH P.N 55033-01.
  - FOR VOLTAGE AND HARDWARE SELECTION: SEE CHART.
  - SOLENOID DYNAMIC-PARKS MOTOR WITH ACTUATION SW. IN THE OFF POSITION.
  - Ⓢ 5/16 HEXNUT TORQUE FOR CABLE INSTALLATION : 35 IN-LBS (3.95Nm)

Revision Control Record				Rev.	Description of Change	ECN No.	Date
Rev.	Description of Change	ECN No.	Date				
A	NEW PART	03443	10/10/03				
B	GEO & DIM CHANGES	12189	5/16/12				
C	HARWARE ASSBLD; PN's REMOVED	13184	06/25/13				

Note: unless noted otherwise all dimension are AFTER plating  
 Tolerances: Unless otherwise specifically noted, the following are default tolerances;  
 2-places ± 0.02 [0.5]    3-places ± 0.005 [0.13]    Angular ± 1'  
 Unless otherwise specified dimensions are in inches. Dimensions in brackets [ ] are in millimeters.  
 "REF" = Non-Toleranced Reference Dimension, shown for clarification purposes only.  
 Note: All tolerances are Non-Cumulative.

**PROPRIETARY INFORMATION**  
 All information contained herein, is proprietary to the Cole Hersee Company. Unauthorized use or reproduction is prohibited.

**Special Characteristics:**  
 Critical Characteristic, relating to Safety and/or Regulatory Compliance  
 Significant Characteristic relating to Process Control  
 Control Dimension relating to Form - Fit - Function as defined by Cole Hersee Company and/or the Customer

**Littelfuse**  
 Phn: 617-268-2100 Web: www.colehersee.com

**Description: SOLENOID FWD - REV.**

**Drawing / Part No.: 24450-CHART**    **Current Rev. C**

FORM CHT-6 (1/12)    Used On or Ref.: EX27922-A    Scale: 1:1    Drawn BY: G.Auguste    Date Drawn: 05/13/03    Pg. 1 of 1