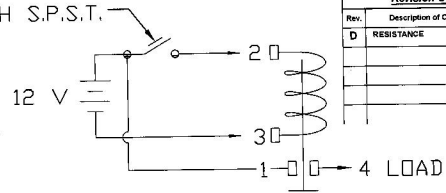
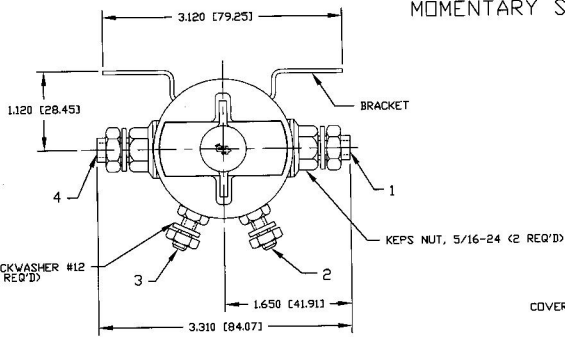


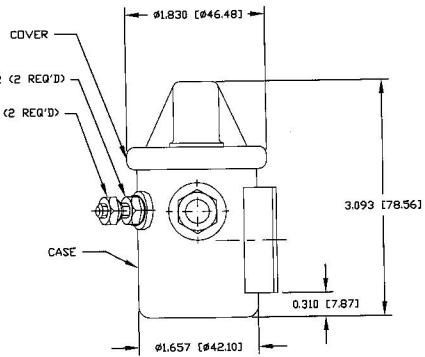
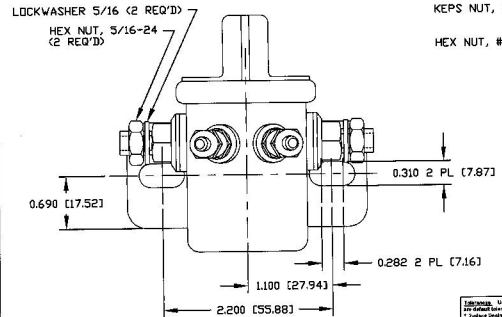
# MOMENTARY SWITCH S.P.S.T.

### Revision Control Record

Rev.	Description of Change	ECN No.	Date
D	RESISTANCE	00849	11/29/00



SCHEMATIC  
SEE NOTE 4



- NOTES:
1. ALL STEEL PARTS PLATED
  2. ALL DIMENSIONS REF. ONLY
  3. RATING 12 V DC, 3.1 OHMS
  4. FOR ACTUATION, USE MOMENTARY S.P.S.T. (NORMALLY OFF) SWITCH OR EQUIVALENT SOURCE. SOLENOID COIL IS NON-POLARITY SENSITIVE
  5. CURRENT RATING 110 AMPS CONTINUOUS (CARRY ONLY) 6 - 36 VOLTS

**Dimensions:** Unless otherwise specifically noted, the following are standard dimensions:  
 \* Unless Indicated Dimensions are .005"  
 \* Unless Indicated Dimensions are .010"  
 \* Angular Dimensions are 1:10  
 \* Metric: Refer to equivalent Metric Dimension Tables  
 \* UNLESS OTHERWISE SPECIFIED: ALL DIMENSIONS ARE IN INCHES  
 \* DIMENSIONS ARE TO BE TAKEN TO THE CENTER OF THE HOLE UNLESS OTHERWISE SPECIFIED  
 \* DIMENSIONS ARE TO BE TAKEN TO THE CENTER OF THE HOLE UNLESS OTHERWISE SPECIFIED  
 \* DIMENSIONS ARE TO BE TAKEN TO THE CENTER OF THE HOLE UNLESS OTHERWISE SPECIFIED

**COMPLIANCE INFORMATION:** This Engineering Drawing, and the information contained therein, is property of Cole Horsee Company and may not be disclosed, reproduced, or in any way used without the express written consent of the engineering representative of Cole Horsee Company.  
**REGULATORY COMPLIANCE:** It is the responsibility of the individual using this drawing to ensure that the noted design complies with the applicable level of the applicable regulatory requirements. This is a NON-CONTROLLED DOCUMENT unless otherwise specifically noted.  
 DO NOT SCALE - Dimensional variation may occur during printing/ reproduction.

**Key for Revised Characteristics:**  
 Critical Characteristics, relating to Safety and/or Regulatory Compliance  
 Significant Characteristics relating to Process Control (PC)  
 Control Characteristics relating to Form - Fit - Function as defined by Cole Horsee Company and/or the Customer  
 Show that the identification of any Characteristics as being "Special" does not alter the requirements that all specified dimensions & tolerances must be met.

**Cole Horsee Co.**  
 30 Old Colony Ave., South Boston, MA, 02127  
 Ph: 617-268-2100 Web: www.colehorseeco.com

**Description:** LATCHING SOLENOID

**Drawings/Part No.:** 24200

**Current Rev.:** D

**Scale:** 1:1  
**Drawn By:** DPS  
**Date:** 2/2/94  
**Responsible Engineer:** N/A  
**Page:** 1 of 1