

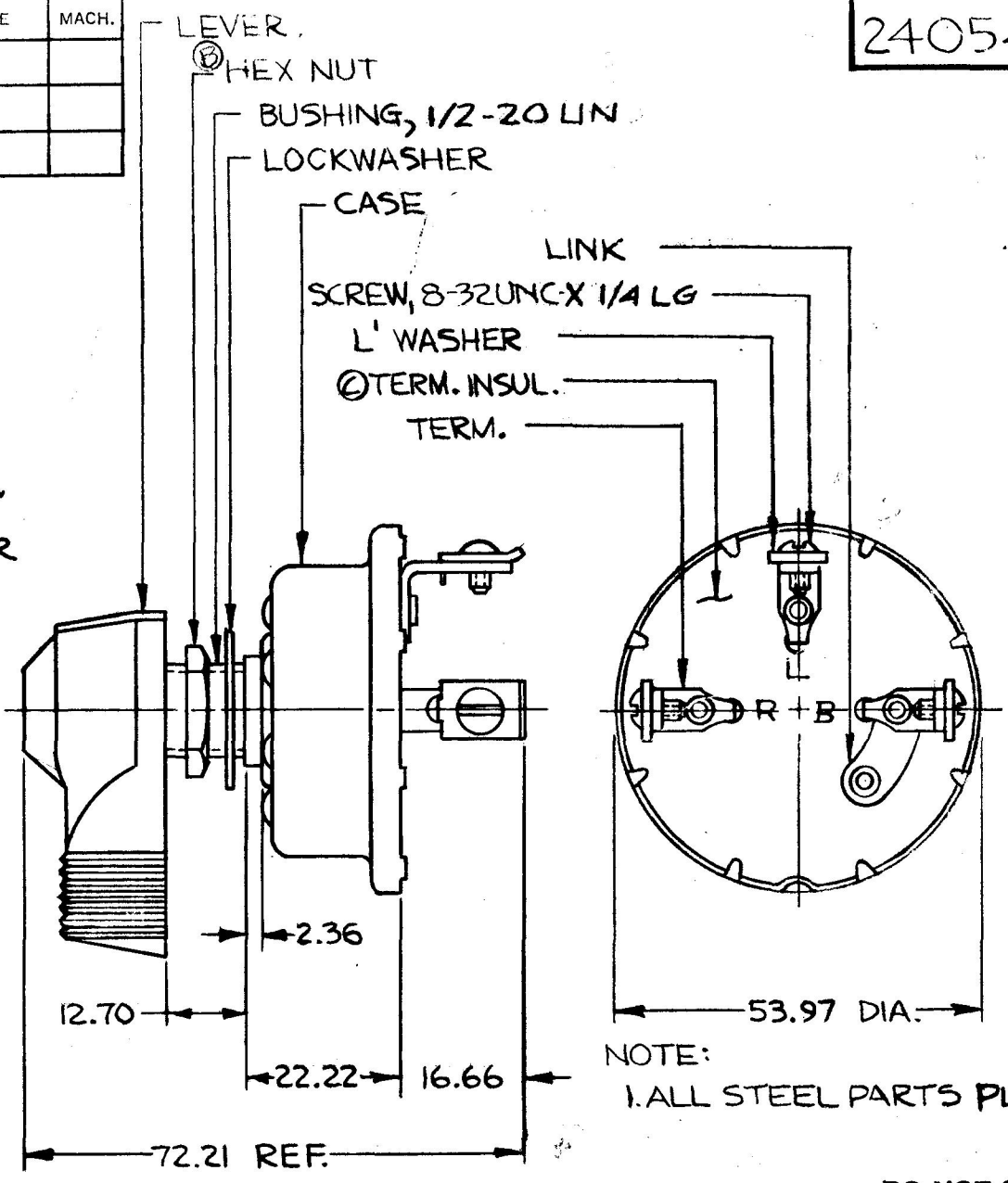
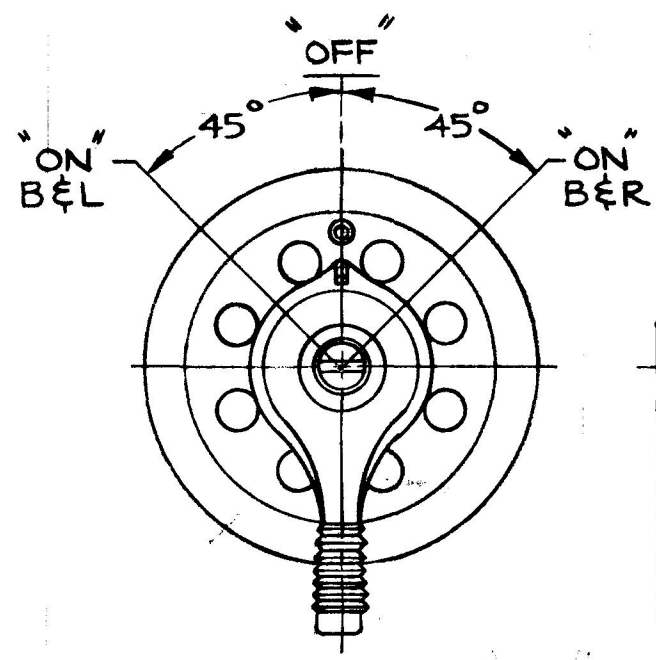
MM.	IN.
0.25	.010
2.36	.093
2.70	.500
16.66	.656
22.22	.875
53.97	2.125
72.21	2.843

KEY OPER.  
9554

COLE-HERSEE CO.

SEQ.	DEPT.	OPERATING INSTRUCTIONS	DIE	MACH.

24054



NOTE:  
1. ALL STEEL PARTS PLATED

METRIC

DO NOT SCALE

LET	WAS	DATE	BY	LET	WAS	DATE	BY	MATERIAL	DRAWN	CHECKED	APPRV'D.	SCALE	DATE DRAWN	
									PB	5-16-78		1=1	5-14-56	
								FINISH	<b>COLE-HERSEE COMPANY</b> BOSTON, MASS. 02127, U.S.A.				DATE BLUEPRINT	
				C	REV 10/26/75	10-26-75	PS	TOLERANCES					THREE POSITION	24054
				B	REV 20/975	10-26-75		FRACTIONAL ±					ROTARY LEVER SWITCH	
				A	REDRAWN	5-12-78	JK	DECIMAL ±0.25						

SPAULDING CO., INC.