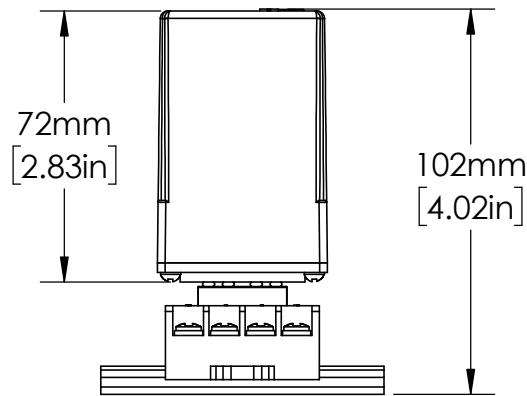
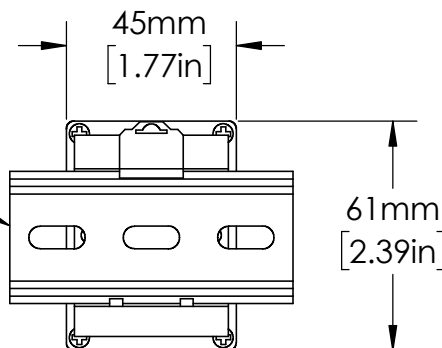


OT08PC  
RELAY SOCKET



35mm  
DIN RAIL



UNLESS NOTED OTHERWISE  
DIMENSIONS ARE IN INCHES  
TOLERANCES:  
TWO PLACE DECIMAL ±0.05  
NOT DRAWN TO SCALE



DESCRIPTION:  
SINGLE PHASE VOLTAGE  
MONITORING PROTECTION

PART NUMBER:  
201-SP-DPDT SERIES

REV  
A

SHEET 1 OF 1



MATERIAL

NAME	DATE
DRAWN BY JMOLER	12/27/22