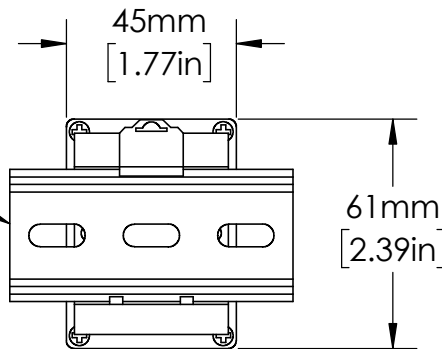


OT08PC
RELAY SOCKET

35mm
DIN RAIL



UNLESS NOTED OTHERWISE
DIMENSIONS ARE IN INCHES
TOLERANCES:
TWO PLACE DECIMAL ±0.05
NOT DRAWN TO SCALE



DESCRIPTION:
PUMP CONTROL, SINGLE-CHANNEL
SEAL-LEAK DETECTION

PART NUMBER: 201-100-SLD

REV
A



MATERIAL

NAME	DATE
DRAWN BY JMOLER	03-06-23