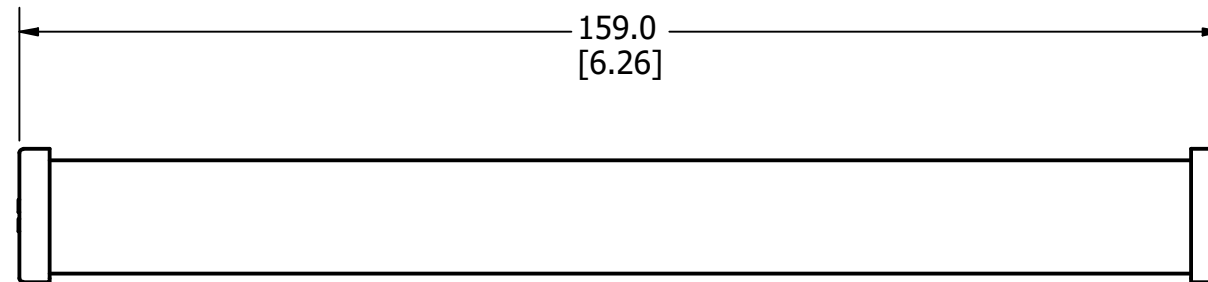
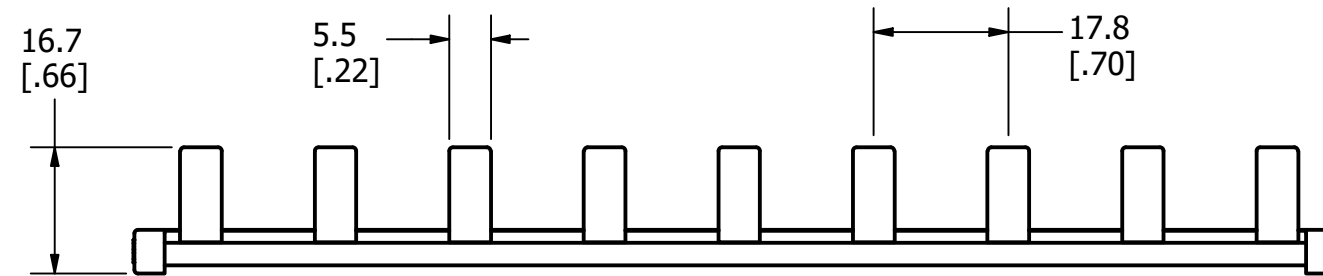
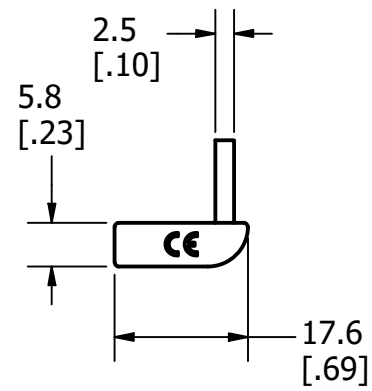
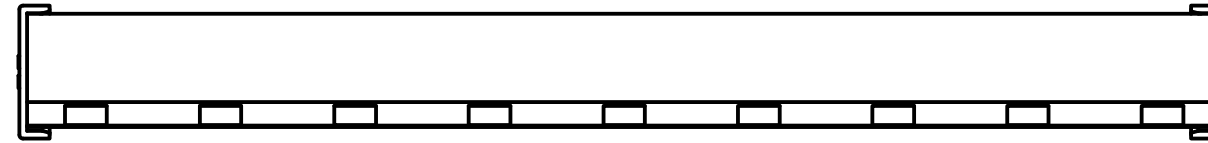


REVISION		
REV	DATE	DESCRIPTION
A	10/13/22	525740GCP - RELEASE MRY



1	NO	COMPONENT NO	DESCRIPTION	QTY/M	U/M
---	----	--------------	-------------	-------	-----

**BILL OF MATERIAL**

<S>	CRITICAL CHARACTERISTIC FOR PART SAFETY/COMPLIANCE				
●	DENOTES CRITICAL CHARACTERISTICS.				
CPK	DENOTES CPK DIMENSIONS, -MINIMUM CPK VALUE				
⊳	DENOTES A CHARACTERISTIC THAT PROVIDES AN INDICATION OF PROCESS PERFORMANCE. PROCEDURE FOR MEASUREMENT AND TRACKING TO BE DEFINED IN LITTELFUSE INSPECTION INSTRUCTIONS.				
CP	DENOTES CP DIMENSIONS, -MINIMUM CP VALUE MUST BE WITHIN THE DIMENSIONAL LIMITATIONS SHOWN ON DRAWING AND INITIALLY LOCATED TO ALLOW FOR MAXIMUM TOOL LIFE.				

**B**

MATL SPEC		FINISH			
DRW JMOLER	DATE 10/3/2022	SCALE NTS	FINISH GOOD WT GRAMS/PIECE		

UNLESS OTHERWISE SPECIFIED, DIMENSIONS ARE IN MILLIMETERS, DIMENSIONS IN BRACKETS [ ] ARE INCHES DIMENSIONING AND DO NOT INCLUDE PLATING. TOLERANCING TO BE INTERPRETED IN ACCORDANCE WITH ANSI Y14.5M-1994

3RD ANGLE PROJECTION	
----------------------	--

**TITLE** 1PH9P25MM OUTLINE

<b>Littelfuse</b> CHICAGO, ILLINOIS 60631	REVISION A	DRWG NO. OL-1PH9P25MM	SHEET 1 OF 1
--	---------------	--------------------------	--------------