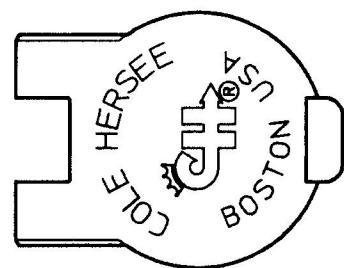
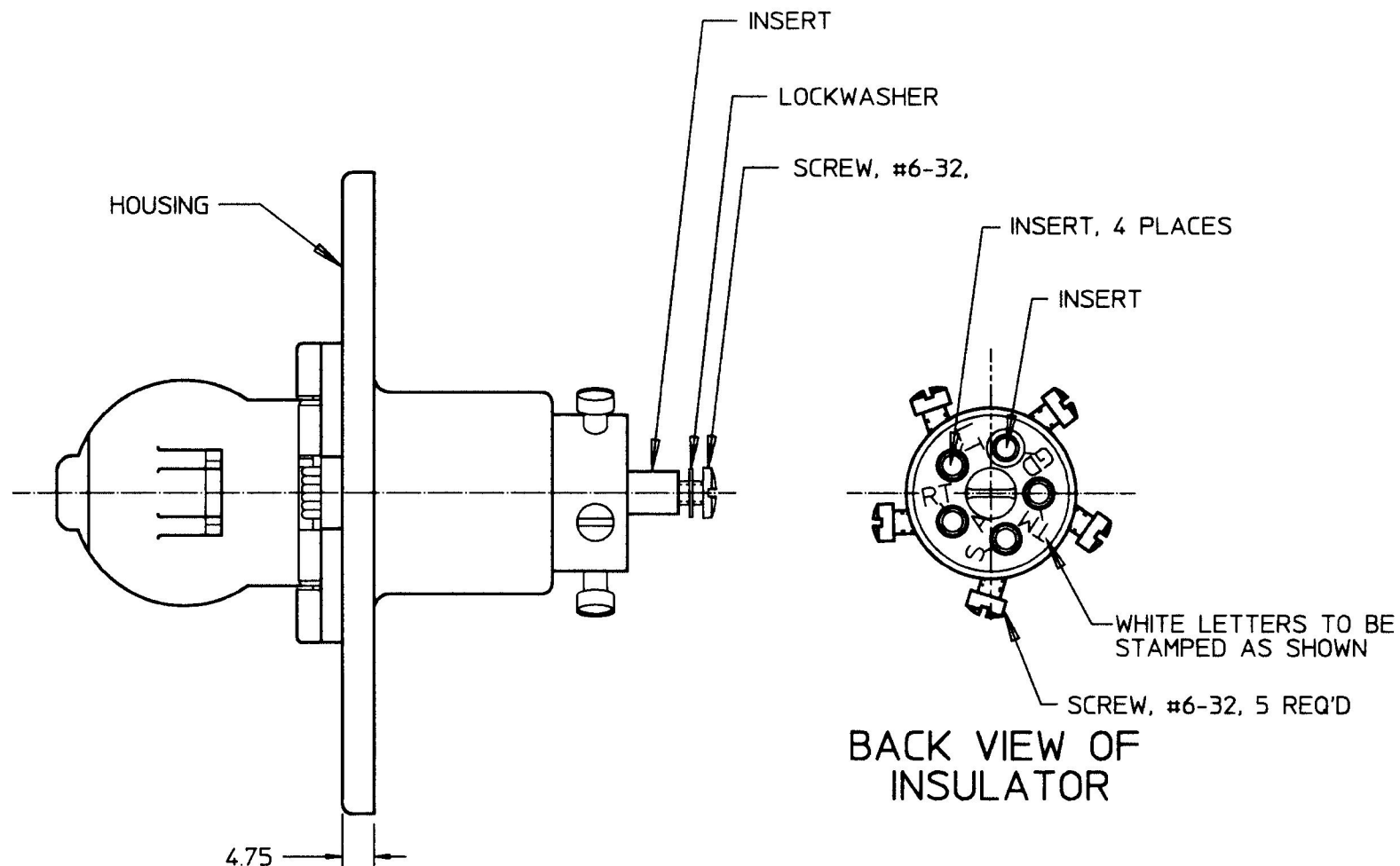
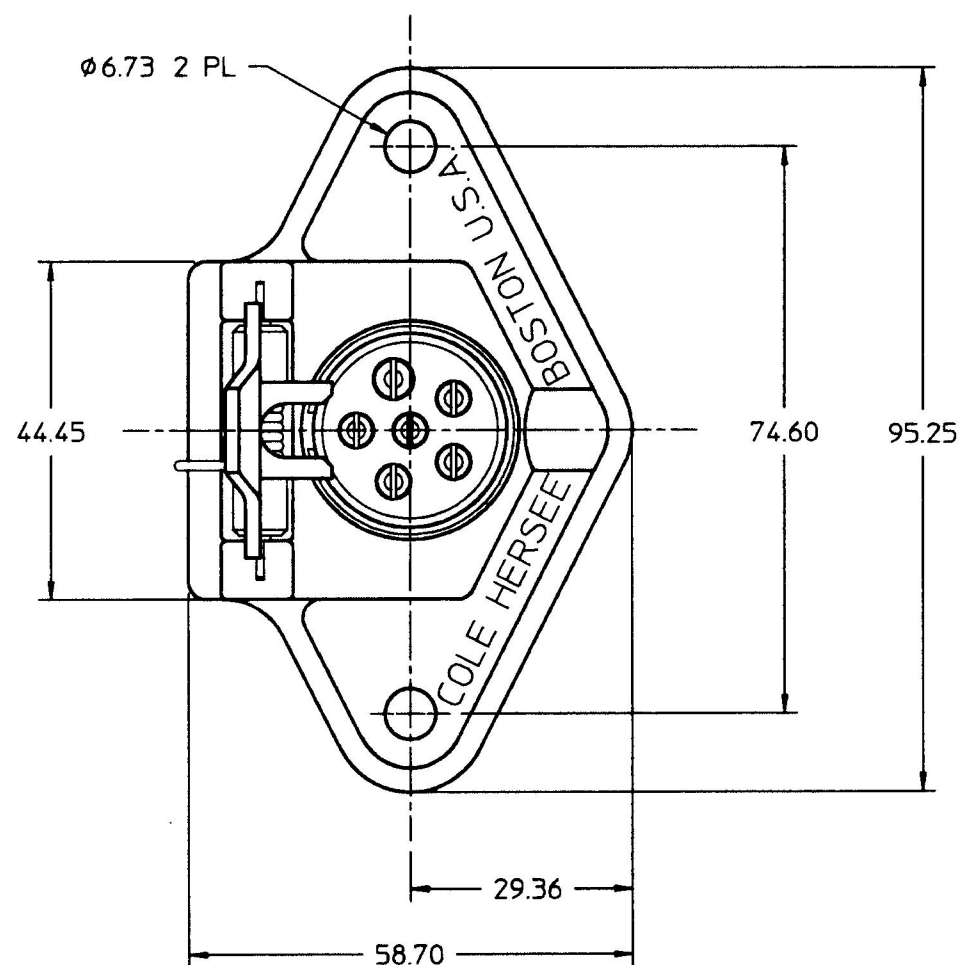
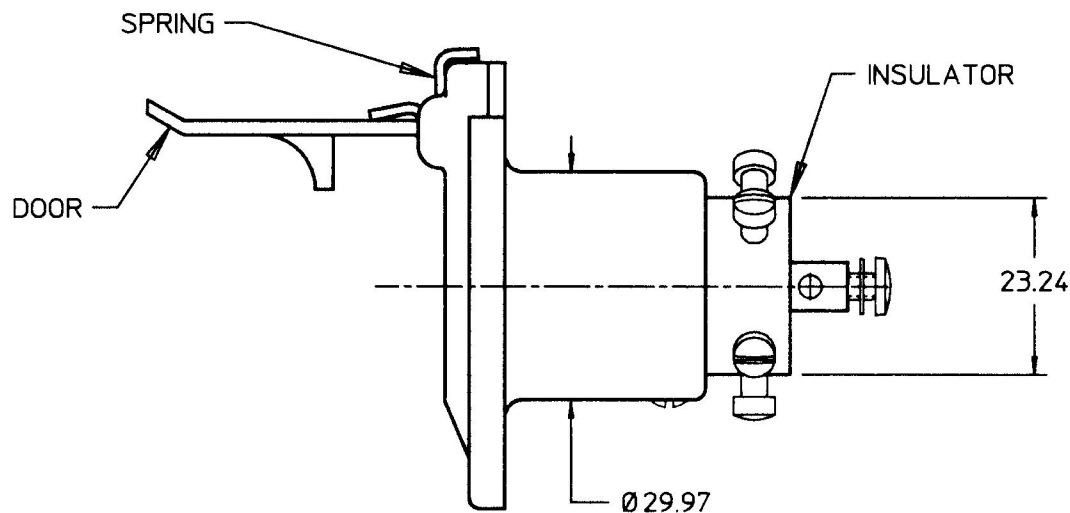


MM	IN
4.75	0.187
6.73	0.265
23.24	0.915
29.36	1.156
29.97	1.180
44.45	1.750
58.70	2.312
74.60	2.937
95.25	3.750



FRONT VIEW OF DOOR



BACK VIEW OF INSULATOR

- NOTE:
1. ALL STEEL PARTS PLATED
 2. ALL DIMENSIONS ARE REFERENCE ONLY
 3. NOT SELF GROUNDED
 4. DOOR SHOWN OPEN FOR CLARITY

DO NOT SCALE

GR	GROUND
TM	TAIL AND MARKER
S	STOP LAMP
RT	RIGHT TURN SIGNAL
LT	LEFT TURN SIGNAL
A	DOMES AND ACCESSORY
TERMINAL MARKINGS	

METRIC

LET.	WAS	DATE	BY	LET.	WAS	DATE	BY	MATERIAL	DRAWN	CHK	APVD	SCALE	DATE DRAWN
								---	GFC	DPB		1:1	7/20/54
								FINISH NOTED	Cole Hersee Co. 20 OLD COLONY AVENUE, BOSTON, MA., U.S.A., 02127				DATE BLUEPRINTED
								TOLERANCES DECIMAL ± ANGLE ±					6 WAY TRAILER CONNECTOR ASEMBLY
				R	PUT ON CAD	2/3/98	JMP						